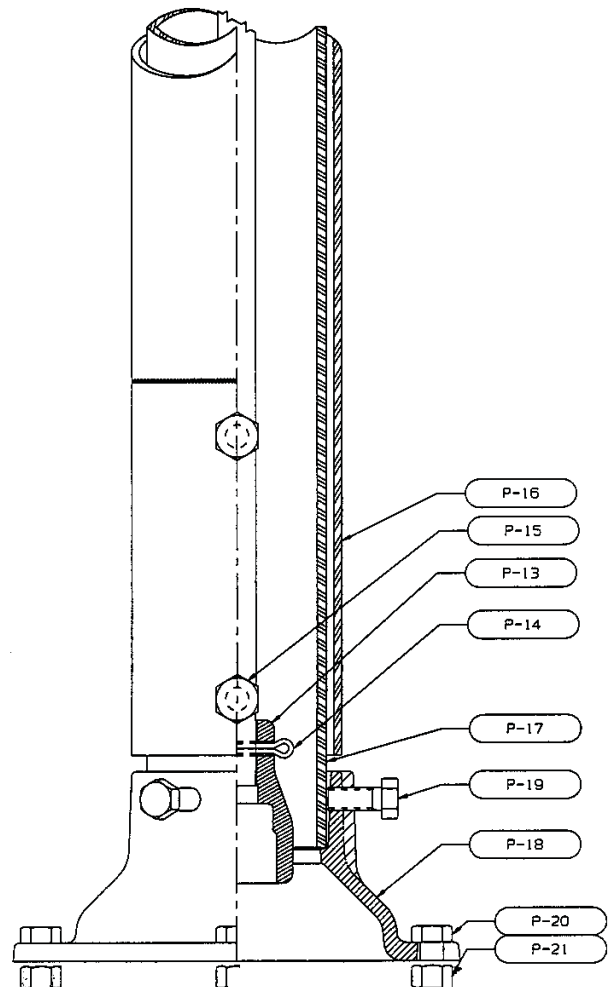
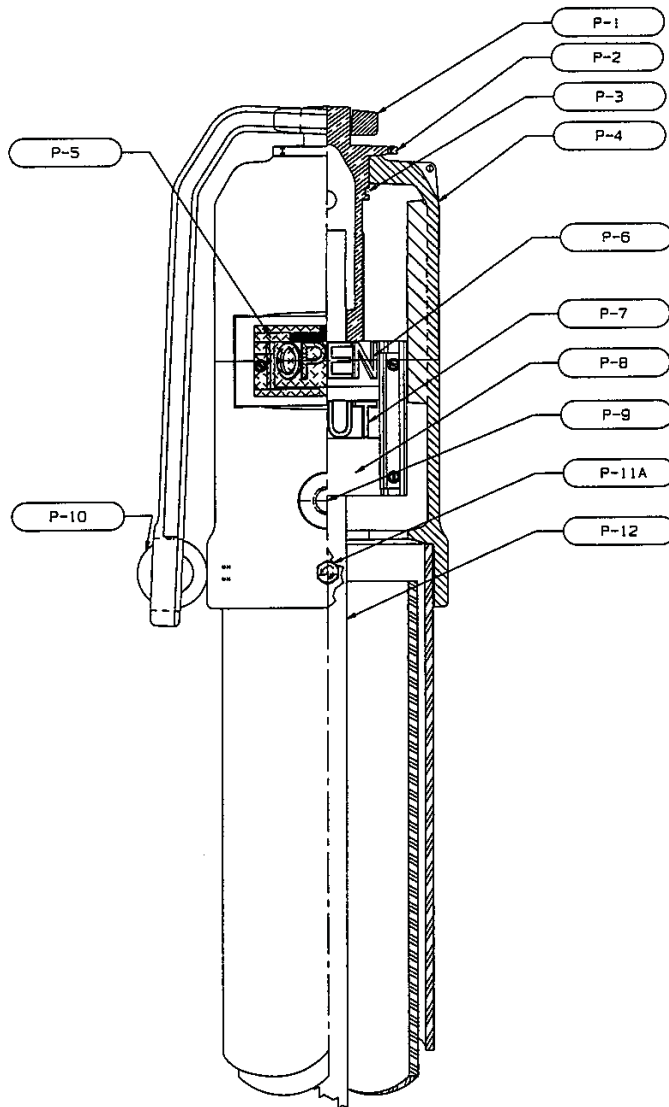


INDICATOR POST STYLE 2945 A TELESCOPING BARREL ASSEMBLY UL AND FM APPROVED

KENNEDY VALVE

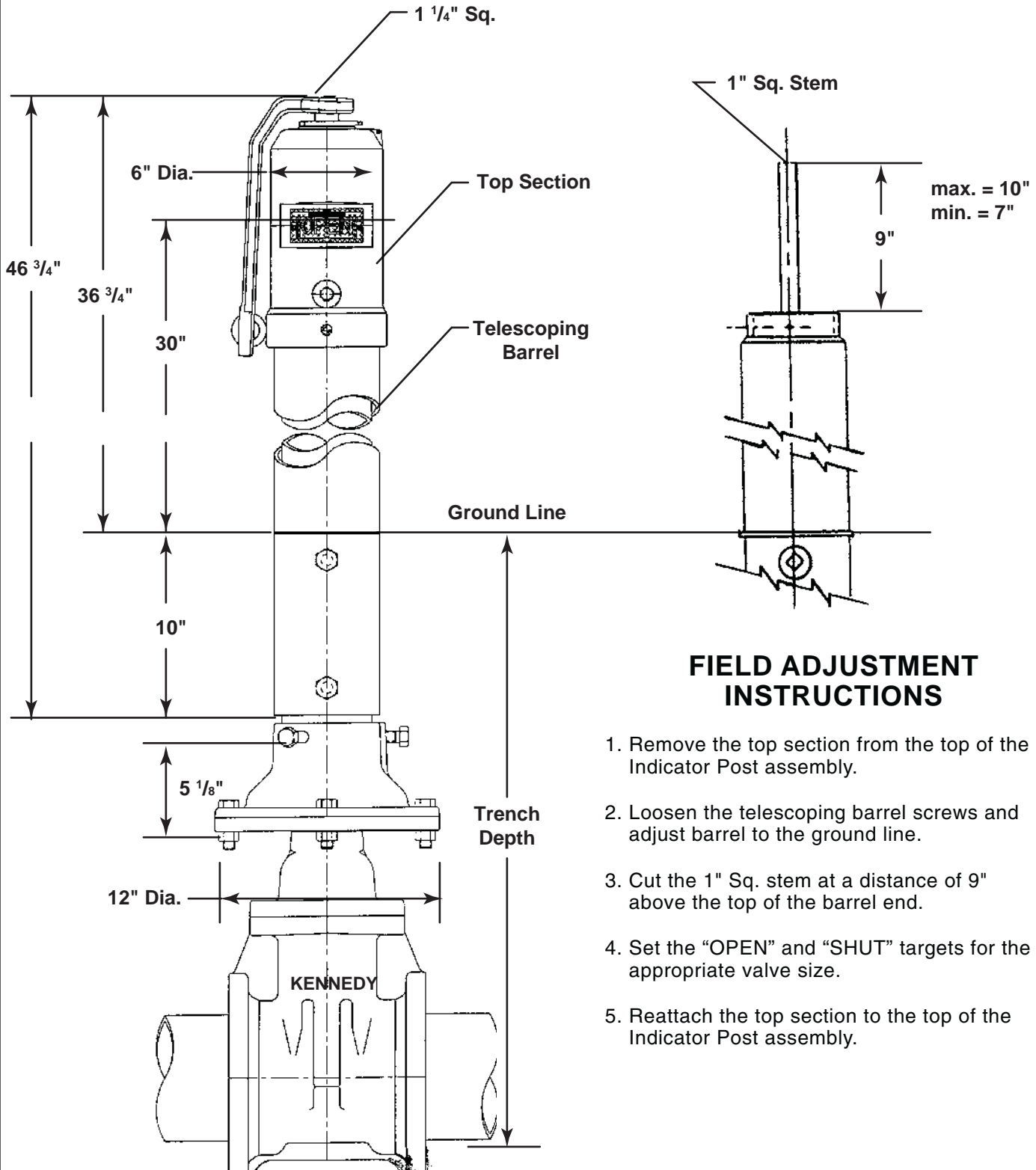
Available in Sizes B C D E
See Page 6 for Dimensions



INDICATOR POST STYLE 2945 A TELESCOPING BARREL UL/FM DIMENSIONS AND INSTRUCTIONS

KENNEDY VALVE

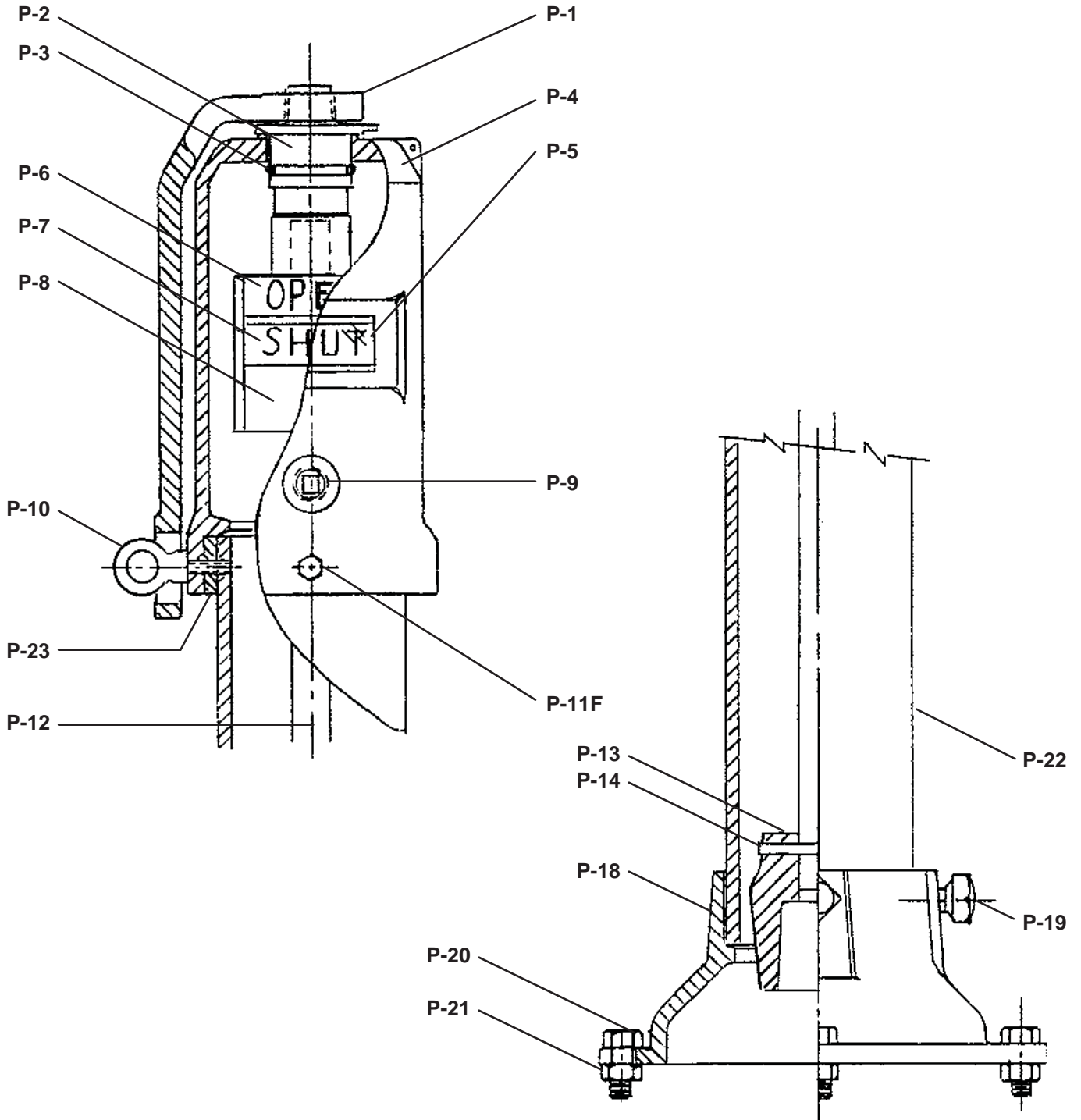
Available in Sizes B C D E
See Page 6 for Dimensions



**INDICATOR POST STYLE 2945
FIXED LENGTH ASSEMBLY
UL AND FM APPROVED**

KENNEDY VALVE

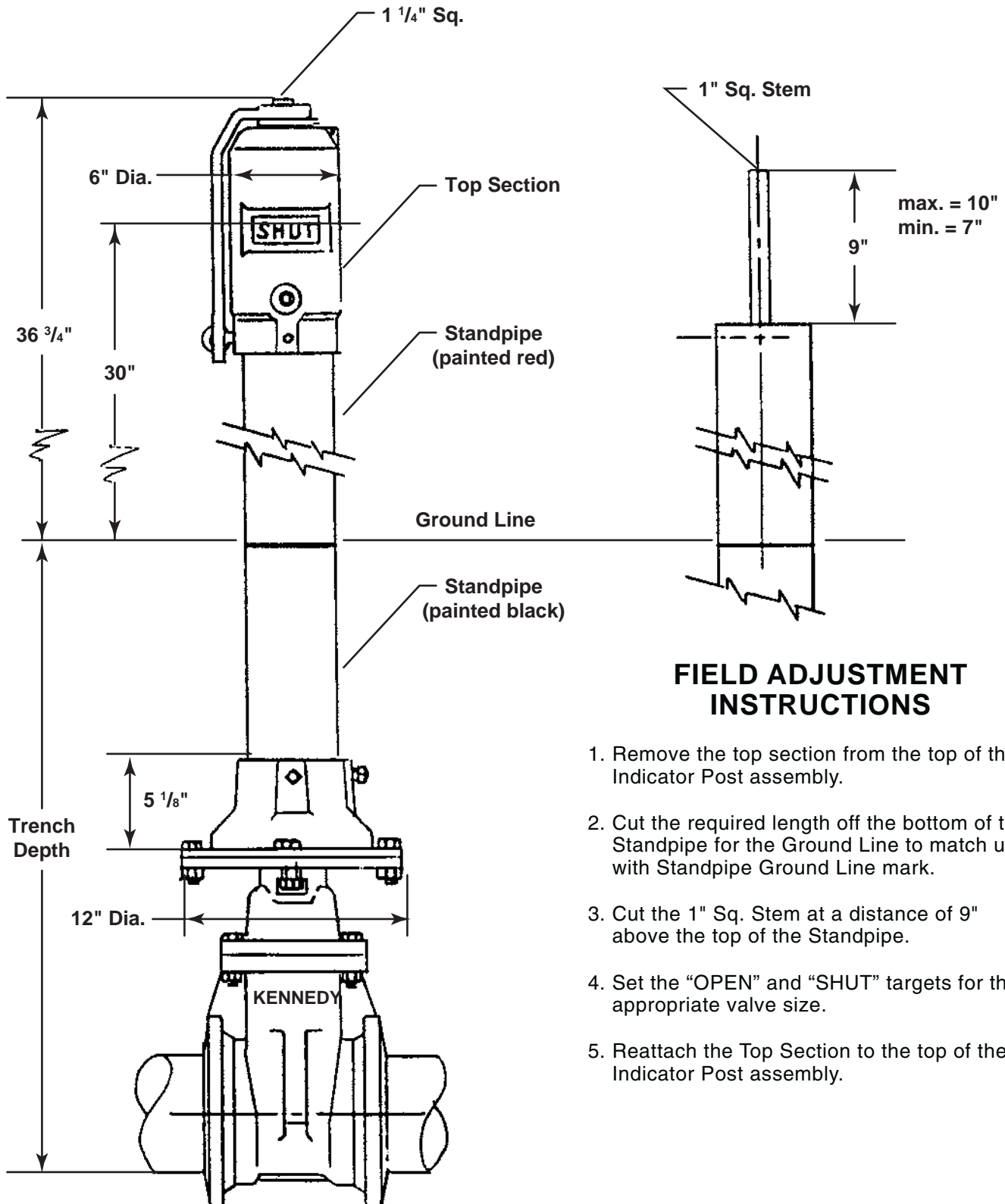
Available in Sizes F G H
See Page 6 for Dimensions



INDICATOR POST STYLE 2945 FIXED LENGTH UL/FM DIMENSIONS AND INSTRUCTIONS

KENNEDY VALVE

Available in Sizes F G H
See Page 6 for Dimensions



INDICATOR POST STYLE 2945 A (ADJUSTABLE) AND STYLE 2945 (FIXED) - PARTS LIST

KENNEDY VALVE

DET	QTY.	PART NO.	DESCRIPTION	MATERIAL
P-1	1	3361270	Locking Wrench	Cast Iron ASTM A-126 CI.B
P-2	1	3024872 (4-14")	Operating Nut	Bronze ASTM B584 Alloy 864
P-3	1	442639P	Retainer O-Ring #226	Buna N
P-4	1	3020913	Top Section	Cast Iron ASTM A-126 CI.B
P-5	2	441980P	Window Glass	Lexan - UV Stabilized
P-6	2	443370P	Open Target	Cast Aluminum
P-7	2	443371P	Shut Target	Cast Aluminum
P-8	1	—	Target Carrier Assem.	
	1	3005802 (4-14")	Target Carrier Nut	Bronze ASTM B584 Alloy 844
	2	443347P	Target Carrier Plate	1/16" Sheet Metal
	4	440736P	Clamp Target Retainer	16 Ga. 302 S.S.
	8	444171P	#10-24x1/2 " Pan Head	Stainless Steel
	4	442411P	#10-24 Hex Nut	Zinc Plated steel
P-9	1	443476P	1/2" NPT Pipe Plug	Mall. Iron
P-10	1	440254P	3/8" Eyebolt #23	Forged Steel
P-11A 1		444303P	3/8-16x1" Hex Capscrew (Adj. Post)	Zinc Plated Steel
P-11F 2		444306P	3/8-16x1 1/2" Hex Capscrew (Fixed Post)	Zinc Plated Steel
P-12	1	**	Stem 1" Sq.	AISI M1020 HRS
P-13	1	318035&	Crane Coupling	Cast Iron ASTM A-126 CI.B
P-14	1	442190P	Cotter Pin	Brass
P-15	2	444342P	3/4" Hex Hd. Screw	Zinc Plated Steel
P-16	1	3004774	Telescoping Barrel	Cast Iron ASTM A-126 CI.B
P-17	1	**	Lower Standpipe (Adjustable Post)	4" D.I. CI 52 ANSI A21.51
P-18	1	3180402 (3-12")	Base Flange	Cast Iron ASTM A-126 CI.B
P-19	3	444355P	5/8"x1" Hex Hd. Screw	Zinc Plated Steel
P-20	4	444357P	5/8"x2 1/4" Hex Capscrew	Zinc Plated steel
P-21	4	442484P	5/8" Hex Nut	Zinc Plated Steel
P-22	1	**	Standpipe Section (Fixed Post)	4" D.I. CI 52 ANSI A21.51
P-23	1	3004762	Spacer Sleeve (Fixed Post)	5" D.I. CI 52 ANSI A21.51

**Part numbers change based on post furnished.

AA
A
AA

**INDICATOR POST STYLE 2945A & 2945
TRENCH DEPTHS FOR GATE VALVES
UL & FM APPROVED**

KENNEDY VALVE

**TELESCOPING BARREL 2945A
TRENCH DEPTH LIMITS**

Valve Size	B Size		C Size		D Size		E Size	
	Min.	Max.	Min.	Max.	Min.	Max.	Min.	Max.
4"	31"	51"	49"	69"	67"	87"	88"	111"
6"	35"	55"	53"	73"	71"	91"	92"	115"
8"	42"	62"	60"	80"	78"	98"	99"	122"
10"	45"	65"	63"	83"	81"	101"	102"	125"
12"	49"	69"	67"	87"	85"	105"	106"	129"
14"/16"	58"	78"	76"	96"	94"	114"	115"	138"

**FIXED LENGTH POSTS 2945
MAXIMUM TRENCH DEPTH**

Valve Size	F Size	G Size	H Size
4"	45 1/2"	63 1/2"	87 1/2"
6"	49 1/2"	67 1/2"	91 1/2"
8"	54 1/2"	72 1/2"	96 1/2"
10"	59"	77"	101"
12"	64"	82"	106"
14"	69"	87"	111"

CHANGING THE TRENCH DEPTHS FOR GATE VALVES

A

INDICATOR POSTS 2945A & 2945 TRENCH DEPTHS FOR GATE VALVES UL & FM APPROVED

INDICATOR POST MODEL 2945A AND 2945 UL/FM INSTALLATION INSTRUCTIONS

KENNEDY VALVE

Installation - The valve should be opened to the fully open position before proceeding with the Indicator Post installation.

1. Disassembly of the Indicator Post Unit

Telescoping Barrel Units

- Remove the Top Section from the end of the barrel.
- Loosen the two screws on the barrel and slide off the top of the standpipe.

Fixed Length Units

- Remove the Top Section from the end of the standpipe.

2. Base Flange Installation:

- Attach the base flange along with the standpipe to the valve plate using the four 5/8" bolts and nuts provided.

3. Grade Line Adjustments:

Telescoping Barrel Units

- Lower the barrel over the standpipe until the grade line mark on the barrel is at ground line height and then tighten the two screws securely.

Fixed Length Units

- Cut the required length off the bottom of the standpipe so that the indicated grade line of the standpipe is at the ground line height and then secure to the base flange by tightening the two screws.

4. Extension Rod Adjustments:

Lower the stem into the barrel/standpipe, placing the crane coupling over the valve operating nut.

It is necessary that the stem engage the operating nut a minimum of 2 inches, but not more than 5 inches.

To check for correct engagement, the end of the stem should be from 7 inches to 10 inches above the top of the standpipe (Fixed Length Units) or the top of the telescoping barrel.

5. Target (Open and Shut) Adjustments

Remove the target assembly from inside the body by rotating the operating nut counterclockwise.

Loosen the target retainer screws, but do not remove them.

INDICATOR POST MODEL 2945A AND 2945 UL/FM INSTALLATION INSTRUCTIONS

KENNEDY VALVE

5. Cont'd

Open Left Valves

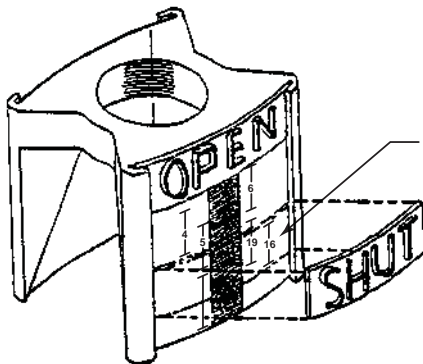
Move the OPEN target to the top of the plate.

Note: Position of the SHUT target can be determined by the following chart:

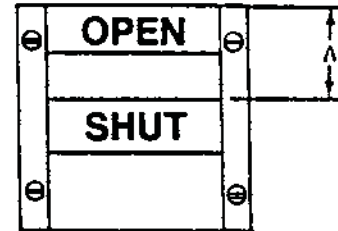
Valve Size	4"	6"	8"	10"	12"	14"
Gate Valve "A"	1"	1 ³ / ₈ "	1 ¹³ / ₁₆ "	2 ³ / ₁₆ "	2 ⁵ / ₈ "	3"
RW Valve "A"	7/ ₈ "	1 ⁵ / ₁₆ "	1 ¹¹ / ₁₆ "	2 ¹ / ₈ "	2 ¹ / ₂ "	See Note (1)

Position the SHUT target as indicated below and tighten the retainer screws until snug. Avoid over tightening. Repeat the procedure for the other side.

Note (1): Resilient Seat Gate Valves 14" and larger, require special target mechanism threads. Contact Kennedy Valve Engineering



- Adjustment of target:
1. Grasp target at midpoint & pull out slightly.
 2. Slide up or down to desired location & then release grip.



Open Right Valves

The procedure is similar as for open left, but with two differences:

A: The open target is placed **below** the shut target.

B: The open target is placed at the very **bottom** of the plate.

The position of the shut target above the open target is then determined and set as described above.

Maintenance

1. Lubrication

Lubricate upper bearing area at least once per year, by applying several drops of light machine oil or food grade grease to the areas where the Operating Nut (P-2) contacts the Top Section (P-4).

Access to this area is gained by removing the Locking Wrench (P-1) and lifting upward on the Operating Nut (P-2).

2. Operation

The target mechanism will travel off the threads of the operating nut in both directions should the targets or target mechanism be positioned incorrectly. Should this happen, readjust targets. If the target mechanism falls from the operating nut, it will be stopped a short distance below the window.

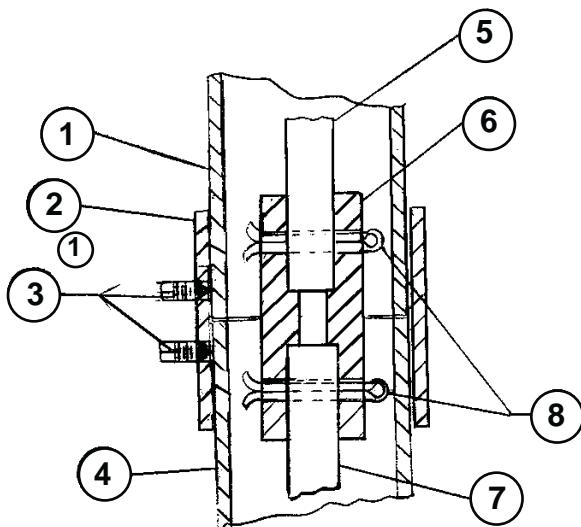
2945 (A) Vertical Indicator Post - Changing the Lower Standpipe

1. Loosen (2) 3/4" - UNC Bolts (Items P-15) that retain the Telescoping Barrel (Item P-16) to the lower Standpipe (Item P-17)
2. Working in a safe manner lift off the entire top assembly (Items P-1 through P-16) from the Telescoping Barrel and Base Flange
3. Remove the Stem (Item P-12) and Crane Coupling (Item P-13) sub-assembly
4. Loosen the 3/4" -UNC Bolts (19) that retain the Lower Standpipe to the Base Flange
5. Remove the existing Lower Standpipe and set the new one into the socket in the Base Flange.
6. Securely tighten the bolts that were loosened in Step 4 (50 to 100 ft.-lb)
7. Working safely, slide the entire top assembly over the new Lower Standpipe
8. Tighten the (2) 3/4" - UNC Bolts that retain the Telescoping Barrel to the Lower Standpipe (Item P-15) - Tighten them securely enough to safely maneuver the Post in the field
9. Remove the Wrench (Item P-1), the 3/8" - UNC Bolt (Item 11A) and the Eyebolt (Item P-10)
10. Lift the assembly of the Top Section (Item P-4), Operating Nut (Item P-2), Target Carrier Assembly Items P-6 through P-8), etc. from the Telescoping Barrel.
11. If a longer Lower Standpipe has been installed it will be necessary to procure a longer Stem. Slip the Crane Coupling (Item P-13) over one end of the new Stem and cross drill a new, cotter pin hole through the new Stem
12. If the Lower Standpipe just installed is shorter than the one it replaced the Stem will have to be cut
13. Bolt the Base Flange of the sub-assembly that includes the Base Flange, Lower Standpipe and Telescoping Barrel to the flange of the valve, using the 3/4" - UNC Bolts & Nuts provided by Kennedy Valve
14. Place the square socket in the Crane Coupling on the Stem & Coupling sub-assembly over the 2" Square Nut at the top of the stem of the valve
15. See page 39-4 of the Kennedy Valve Product Catalog and follow the directions.

NOTE: Kennedy Valve does offer for sale Couplings to extend Stems

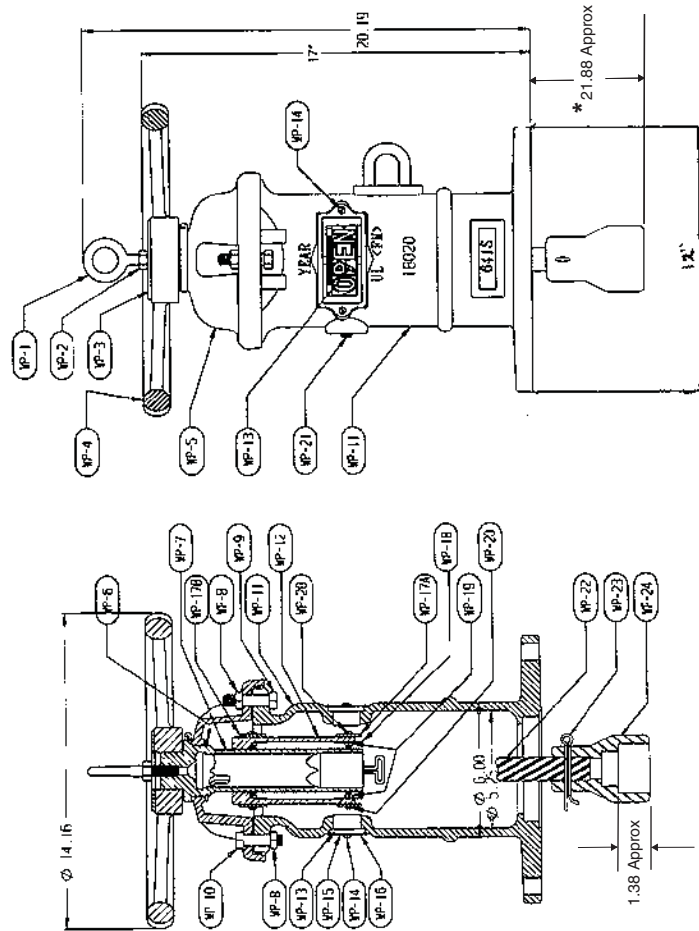
INSTRUCTIONS FOR EXTENDING A 2945A POST

Loosen the two 3/4" screws on top pipe section (near grade line at bottom of pipe). Pull apart the upper section from the lower pipe section. Place new extension coupling with new extension pipe over the existing lower pipe section. Tighten screws provided on the extension pipe and lower pipe (3/4" X 1" square head screw). Take existing stem and place the new extension stem with coupling on top of original stem. Drill through stem and coupling (pilot holes provided on one side) then pin together with pins provided (1/4" X 3" br. cotter keys). Place stem down the inside of new extension and lower pipe assembly aligning it on the 2" square nut on valve. At this time, remove top section (with operating nut assembly) from off the top of indicator post standpipe (two bolts). Place complete upper section over top of stem and align with the new extension pipe. Push together, adjust to desired height, and retighten the two 3/4" screws in top pipe section. Stem should be cut 7" - 10" above the pipe. Adjust open/shut plates per instructions and replace top section with stem nut (can also be extended at bottom end).



NO.	DESCRIPTION
1	Ductile Pipe (as reqd)
2	Extender Coupling
3	Set Screw 3/4 UNC X 1"lg
4	Lower
5	Extension Stem
6	Ext. Stem Coupling
7	Existing Stem
8	Cotter Pin

641 Wall Post



* Standard over-all stem length = 34.63

NOTE. 9 TO 39+ TURNS

Fig. 551-angle Wall Post Kit, use with 641-13 wall post (Style "a" includes 2 – 18" stems)
 (Style "B" includes 2 – 24" stems)

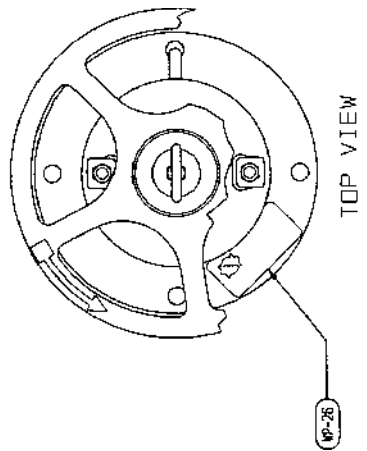
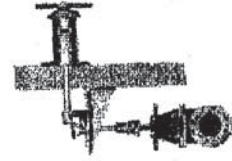


Fig. 551 angle Wall Post Kit



NO.	ITEM	QTY	MATL	SPEC	REMARKS	PART NO.
WP-1	Eye Bolt 1/2-UNC 2" LG	1	Stl		1/2-UNC	440253P
WP-2	Nut 1/2-UNC Plated	1	Stl		Eye Bolt	477495P
WP-3	Washer 5/8 0 Plated	1	Stl			445834P
WP-4	Handwheel-14" Dia.	1	Cl			3360152
WP-5	Cover	1	Cl	A126-B	Zinc Plate	3180283
WP-6	Ret. Ring #5100-225	1	Stl			443599P
WP-7	Oper. Stem Nut	1	BR	AWWA 'A'		3180165
WP-8	Nuts 1/2-UNC Plated	2	RP Stl		Heavy Hex	442482P
WP-9	Bolt 1/2-UNC x 2"	1	RP Stl	A304	Hex Drilled-1 End	444419P
WP-10	Bolt 1/2-UNC x 1.75"	1	RP Stl	A304	Hex	444348P
WP-11	Top Sect.	1	Cl	A126-B		3180204
WP-12	Target Nut	1	Br	AWWA 'A'		3180172
WP-13	Windows - Flat	2	Plastic			441982P
WP-14	Screws 1/40 3/4 Self Tap	4				444435P
WP-15	Ferrule	2	Stl			441587P
WP-17A	Target Plate (Open)	2	Alum			443348P
WP-17B	Target Plate (Shut)	2	Alum			443350P
WP-18	Clamps - Plated	4	Stl			440734P
WP-19	Nuts 1/4-20 UNC	8	Stl		Sq. Hd.	442576P
WP-20	Mach Screw 1/4-20 x 7/8LG	8	Br		Rd. Hd.	444432P
WP-21	Pipe Plug-1/2 NPT	1	Iron		Socket Hd.	443476P
WP-22/23/24	S/A Stem	1 Ea.				2180912
WP-22	Stem - (Std. Lg - 32.5")	1	Stl		1" Square	445312L
WP-23	Cotter Pin 1/4 x 3 Lg	1	Br			442190P
WP-24	Crane Coupling	1	Cl			318035&
WP-25	Adjustment Card	1			Not Shown	440443P
WP-26	Marking Tag	1	Mylar		UL Rated Matl	

CAST TOLERANCES	Material: xxx	KENNEDY VALVE
0" to 3" ± .03"	Material Weight: xxx	et. MFRs. n.y. 14801
3" to 6" ± .04"		
6" to 9" ± .05"		
9" to 12" ± .06"		
12" to 18" ± .08"		
18" to 24" ± .10"		
24" to 30" ± .11"		
30" to 36" ± .12"		
ANGLES ± .50 DEG.		

NO	DATE	ECN	REVISION	DWG. NO.	SCALE 1/2
01	10/6/97		ORIG. DRAWING COMPLETE	D	81286
				XXXXX	

FLANGED BASE POST INDICATOR

KENNEDY VALVE

The Kennedy Flanged Base Indicator Post, Figure 641-14, is specially designed to be mounted on a vault/ pit cover. This non-adjustable post can be supplied with couplings for non-rising stem valves.

PARTS LIST

NO.	ITEM	MATL	ASTM
*1	WELDLESS EYE BOLT	STL	
—			
*3	WASHER-PLATED	STL	A108
*4	HANDWHEEL-14" DIA	CI	A126B
5	COVER	CI	A126B
6	SNAP RINGS #5100-225		
7	STEM NUT	BR	B-62
8	NUTS 1/2-UNC PLATED	AP STL	
9	BOLT 1/2-UNC X 2"	AP STL	A304B
10	BOLT 1/2-UNC X 1.75"	AP STL	A304B
11	TOP SECTION	CI	A126B
12	TARGET NUT	BR	B-62
13	WINDOWS	PLAST	
14	SCREWS-SELF TAP	STL	
15	FERRULE	STL	
16a	TARGET PLATE (OPEN)	ALUM	
16b	TARGET PLATE (SHUT)	ALUM	
17	CLAMPS-PLATED	STL	
18	NUTS-SQUARE	STL	
19	MACH SCREW-AD HEAD	BR	
20	PIPE PLUG-1/2 NPT	CI	
21	4 in. D.I. PIPE	DI	
22	4 in. FLOOR FLANGE	CI	A126B
23	STEM 87" STANDARD	STL	
24	WRENCH	MI	A47
25	CRANE COUPLING	CI	A126B
26	COTTER PIN	BR	B-16

*DENOTES OPTIONAL HANDWHEEL PARTS.

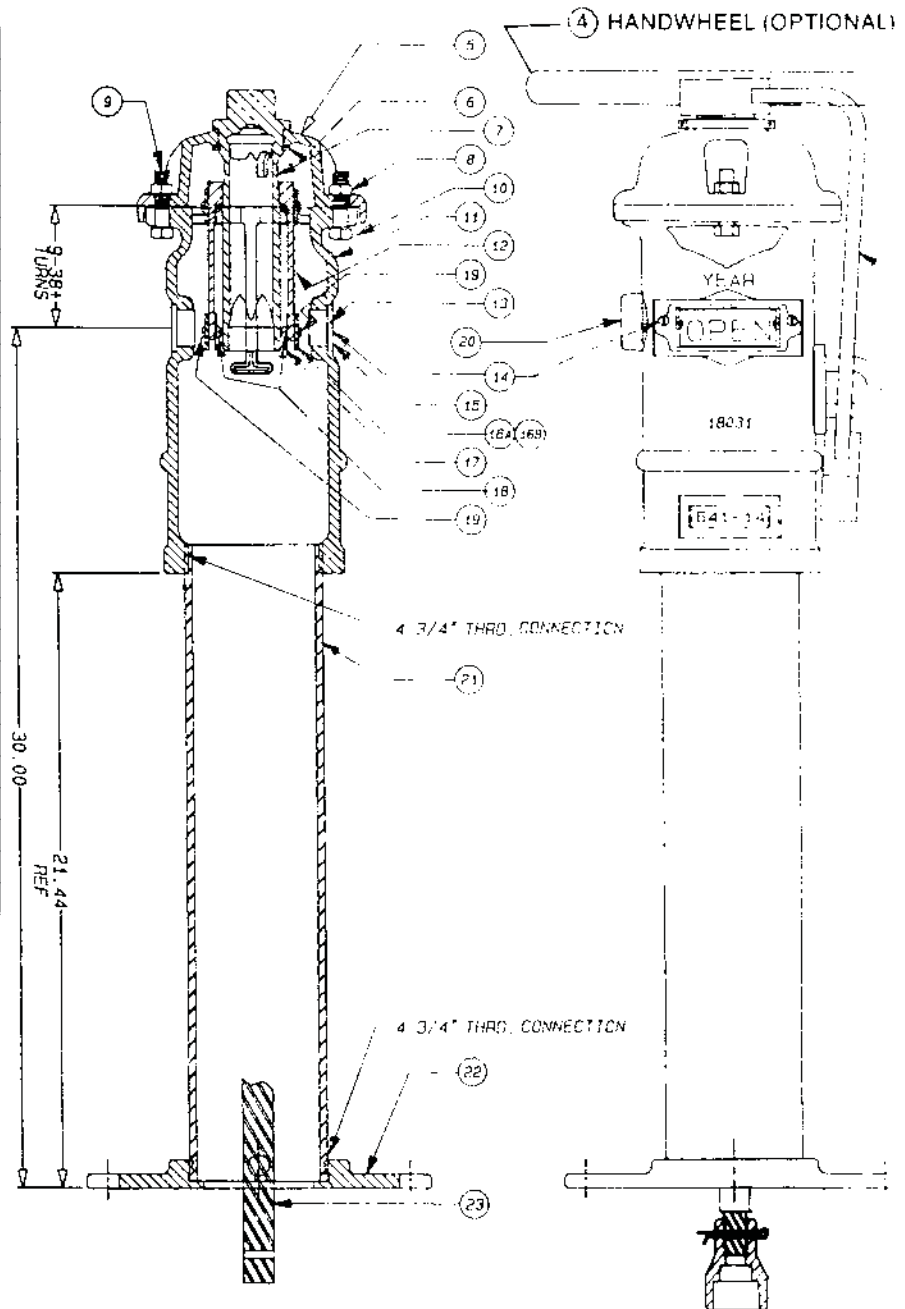


FIGURE 641-14

NON-RISING
STEM APPLICATION



Kennedy Valve

A DIVISION OF McWANE, INC.

www.kennedyvalve.com

2009

1021 E. Water Street • Elmira, New York 14901

P.O. Box 981

PHONE: (607) 734-2211 • FAX: 1-800-952-4771

[Updated 05/02/2012](#)