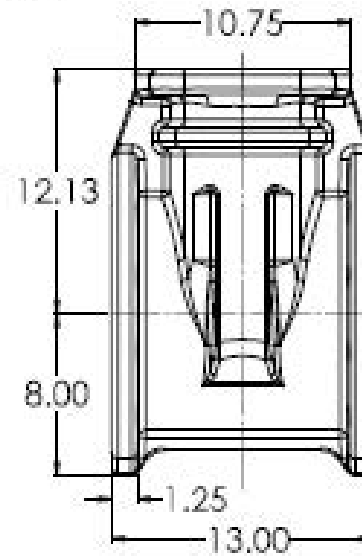
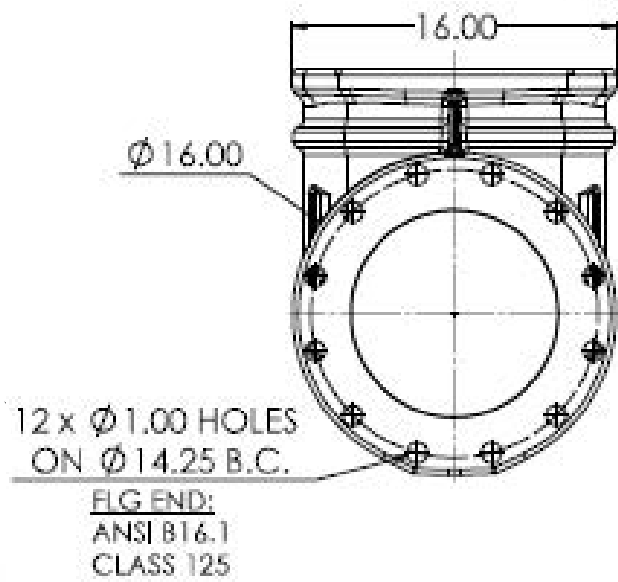


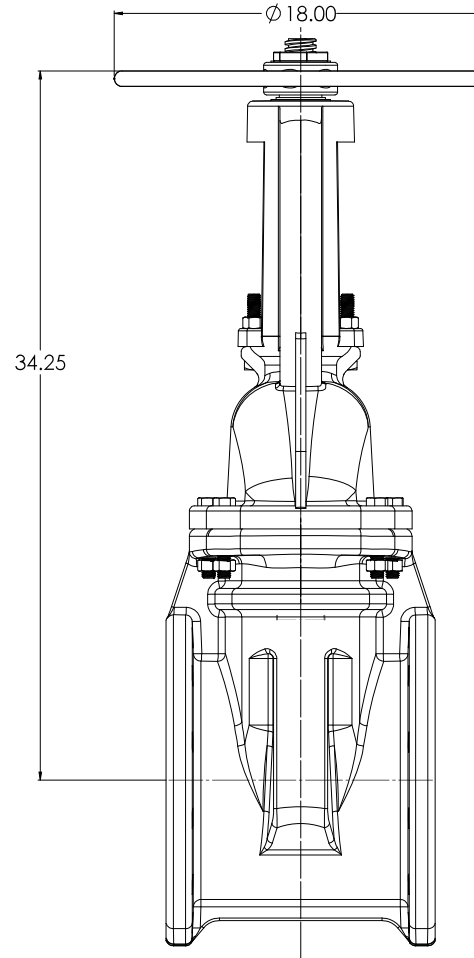
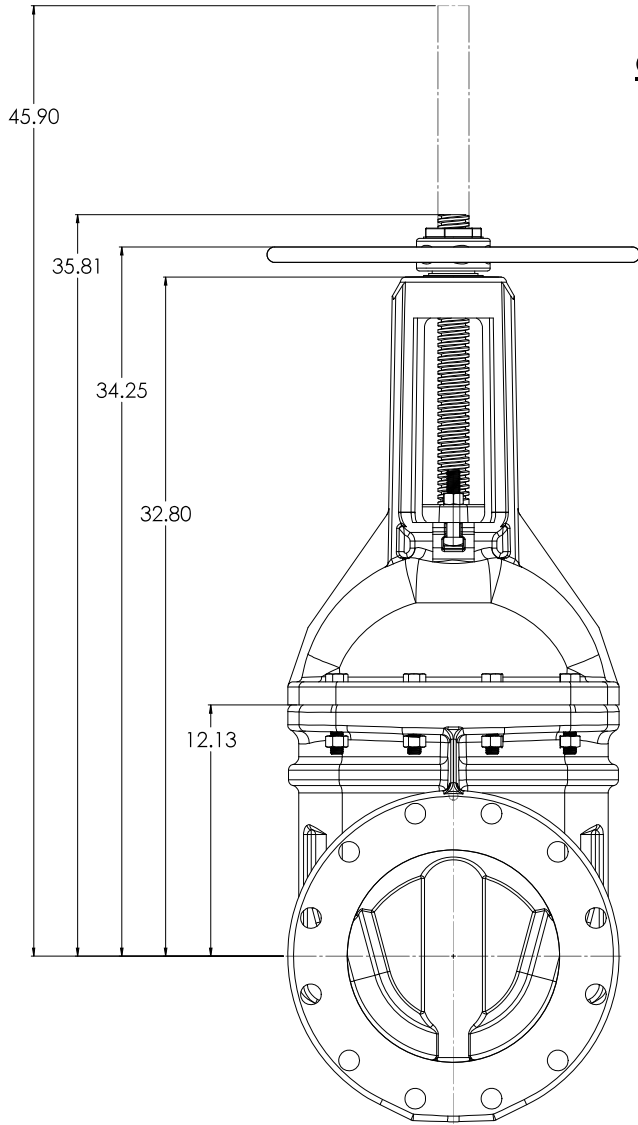
10" C509 FLG X FLG



OTHER END CONNECTIONS ARE AVAILABLE UPON REQUEST.

10" C509 FLG X FLG 10" C509 FLG X FLG 10" C509 FLG X FLG		10" C509 OS&Y RESILIENT WEDGE GATE VALVE		1.5	12/22/2020	5	D
DATE: 12/22/2020 TIME: 10:00 AM USER: CW	10" C509 OS&Y RESILIENT WEDGE GATE VALVE	1.5	12/22/2020	5	D	5	D

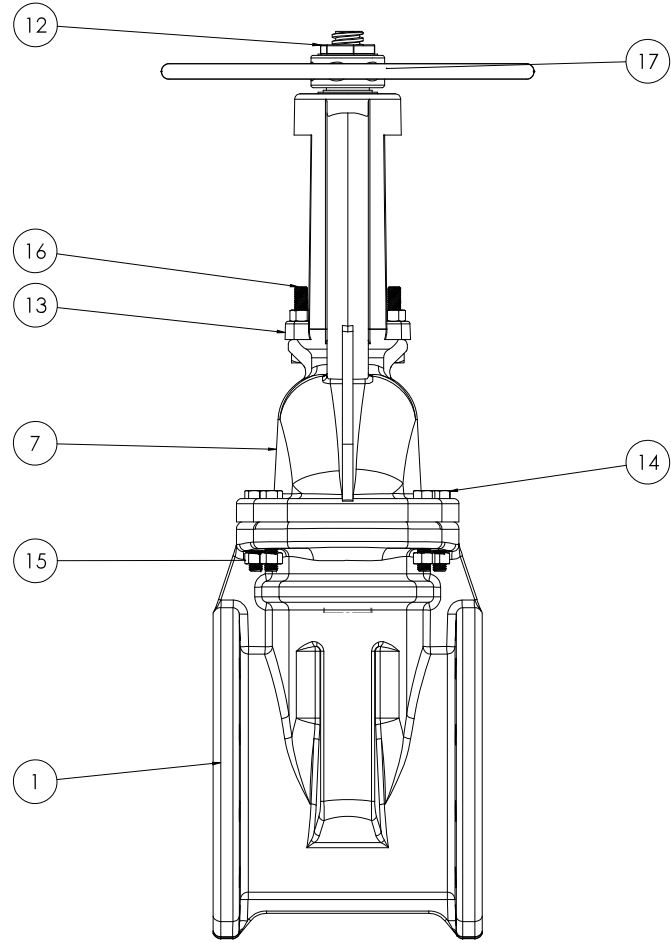
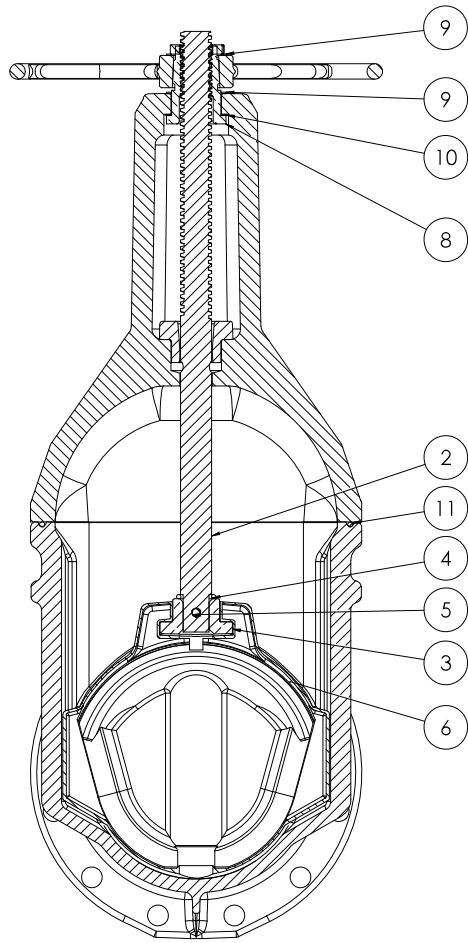
OS&Y WITH HANDWHEEL



OS&Y 10' OS&Y WITH HANDWHEEL 10' OS&Y WITH HANDWHEEL		10' OS&Y WITH HANDWHEEL 10' OS&Y WITH HANDWHEEL		10' OS&Y WITH HANDWHEEL 10' OS&Y WITH HANDWHEEL	
DATE: 11/20/2020 DWG NO: 12/2/2020 REV: 1 DESIGNED BY: CW CHECKED BY:	PROJECT NO: 12/2/2020 PROJECT NAME: 10' OS&Y WITH HANDWHEEL DRAWING NO: 12/2/2020 SHEET NO: 5	SCALE: 1:10 UNIT: LBS MATERIAL: 10' OS&Y WITH HANDWHEEL WEIGHT: 10' OS&Y WITH HANDWHEEL	MANUFACTURER: 10' OS&Y WITH HANDWHEEL MODEL: 10' OS&Y WITH HANDWHEEL PART NO: 10' OS&Y WITH HANDWHEEL SERIAL NO: 10' OS&Y WITH HANDWHEEL	DRAWN BY: CW CHECKED BY:	APPROVED BY:



2
5
D



MANUFACTURER'S INFORMATION COMPANY: SWISS VALVE CO. ADDRESS: 1000 N. 10TH ST., SUITE 100, DENVER, CO 80202 PHONE: 303.733.1100 FAX: 303.733.1101 E-MAIL: SALES@SWISSVALVE.COM WEBSITE: WWW.SWISSVALVE.COM		DESIGNER'S INFORMATION PROJECT NO.: 10' C509 CS&Y RESILIENT WEDGE GATE VALVE DRAWING NO.: 10' C509 CS&Y RESILIENT WEDGE GATE VALVE DATE: 12/2/2020 SCALE: T:10		REVISIONS NO. DATE DESCRIPTION BY APPR. 1 12/2/2020 ISSUED FOR FABRICATION CW [Signature]	
GENERAL NOTES 1. ALL DIMENSIONS ARE IN INCHES UNLESS OTHERWISE SPECIFIED. 2. MATERIALS SHALL BE AS SPECIFIED IN THE MATERIAL SPECIFICATIONS. 3. THE VALVE SHALL BE ASSEMBLED AND TESTED IN ACCORDANCE WITH THE MANUFACTURER'S INSTRUCTIONS.		VALVE SPECIFICATIONS TYPE: 10' C509 CS&Y RESILIENT WEDGE GATE VALVE SIZE: 10" WEIGHT: 100 LBS. PRESSURE: 150 PSI END USE: GENERAL PURPOSE		MANUFACTURER'S LOGO 	

<u>ITEM NO.</u>	<u>COMPONENT</u>	<u>QTY.</u>	<u>SIZE</u>	<u>STANDARD MATERIAL</u>	<u>MATERIAL OPTIONS</u>
1	BODY	1	-	CAST IRON	DUCTILE IRON
2	STEM	1	-	C65500 (LOW ZINC)	304 SS, 316 SS
3	STEM NUT	1	-	C87850	C99500 (LOW ZINC)
4	O-RING	1	#325	EPDM	BUNA-N
5	COILED SPRING PIN	1	1/2" X 2 3/4"	303 SS	-
6	WEDGE	1	-	EPDM/DUCTILE IRON	-
7	COVER	1	-	CAST IRON	DUCTILE IRON
8	TOP STEM NUT	1	-	C86700	-
9	LOWER THRUST WASHER	2	-	C26000	-
10	THRUST WASHER	1	-	NYLATRON	-
11	O-RING	1	#452	EPDM	BUNA-N
12	HOLD DOWN NUT	1	-	C87850	C87610 (LOW ZINC)
13	GLAND	1	-	CAST IRON	-
14	HEX HEAD CAP SCREW	8	5/8"-11 X 3 1/2"	18-8 SS	316 SS
15	HEX NUT	10	5/8"-11	18-8 SS	316 SS
16	HEX HEAD CAP SCREW	2	5/8"-11 X 3 1/4"	18-8 SS	316 SS
17	HANDWHEEL	1	Ø 18"	DUCTILE IRON	-

- VALVES CONFORM WITH THE FOLLOWING STANDARDS
 - AWWA C509
 - NSF 61
- LOW ZINC BRASS STEM AND STEM NUT AVAILABLE
- 100% DOMESTIC FASTENERS AND ORINGS OPTIONS AVAILABLE
- *OPEN LEFT* (COUNTERCLOCKWISE) AND *OPEN RIGHT* (CLOCKWISE) OPTIONS AVAILABLE
- TURNS TO OPEN FROM FULLY CLOSED: 32
- AWWA MAXIMUM ALLOWABLE CLOSING TORQUE 185 FT-LBS

<small> COMPANY: 10' C509 CS&Y RESILIENT WEDGE PART NO: 10' C509 CS&Y RESILIENT WEDGE QTY: 4 DATE: 12/2/2020 DWG NO: 10' C509 CS&Y RESILIENT WEDGE </small>		<small> 10' C509 CS&Y RESILIENT WEDGE LBS: GATE VALVE T:10 5 </small>	
---	--	--	---