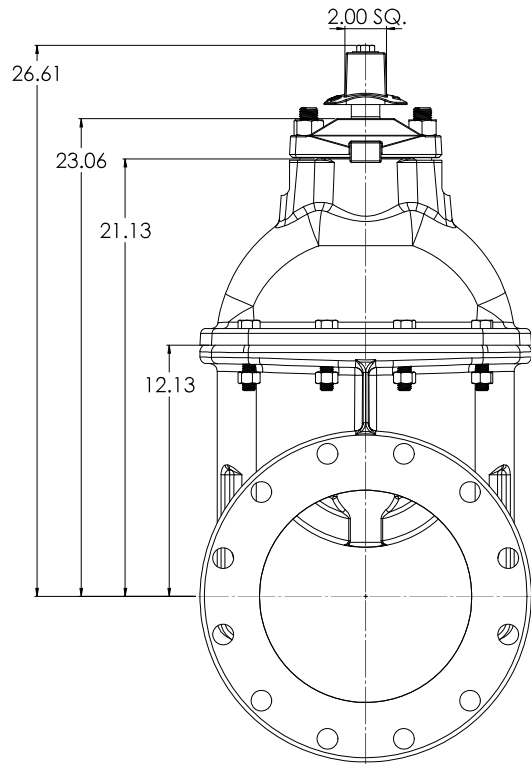
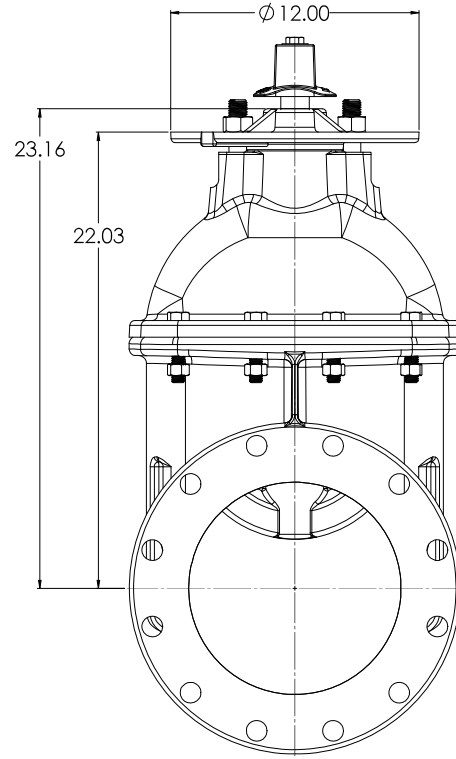


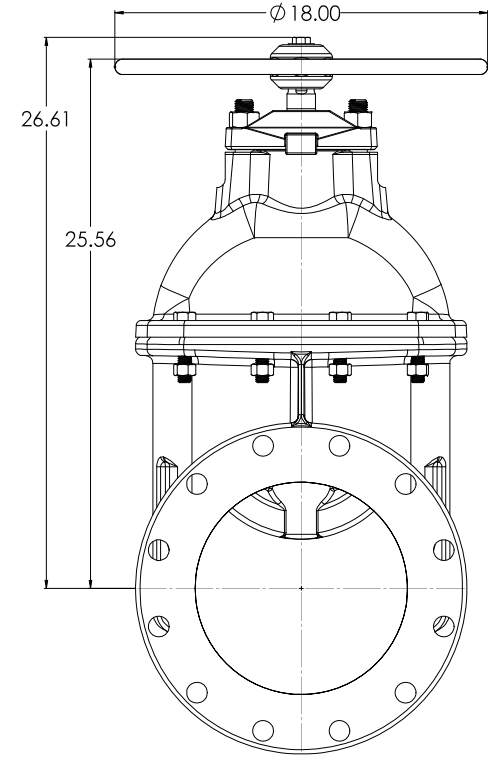
**OPERATING NUT
WITH O-RING PLATE**



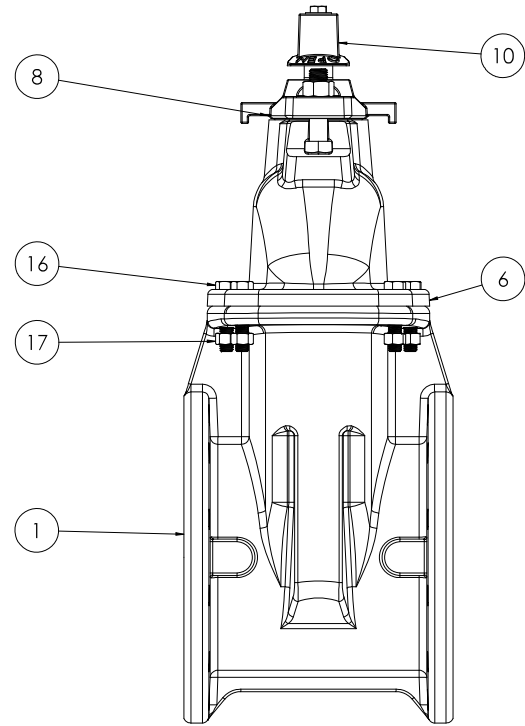
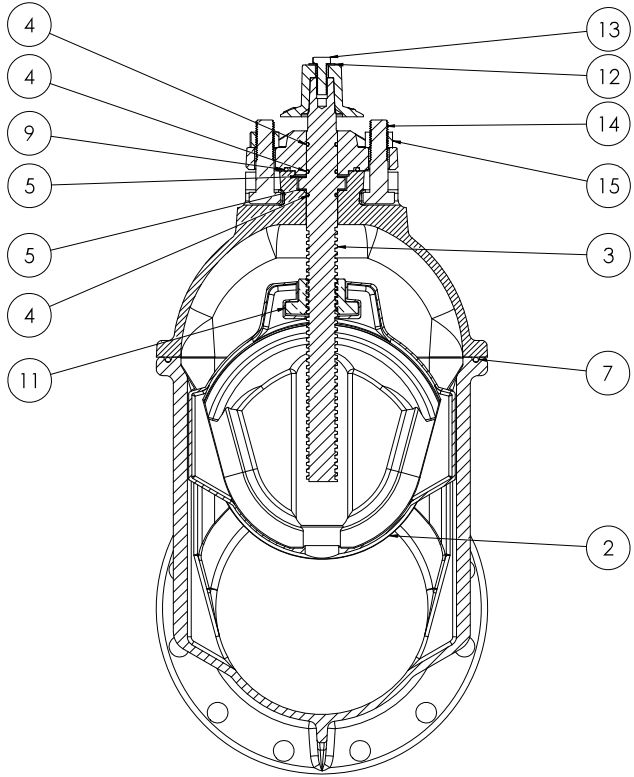
**OPERATING NUT WITH
INDICATOR POST PLATE**



**HANDWHEEL WITH
O-RING PLATE**



COMPANY: SOLOWORKS ADDRESS: 10000 W. 16th Ave., Suite 100, Golden, CO 80401 PHONE: 303.440.9400 FAX: 303.440.9401 WWW: www.soloworks.com		PROJECT: 10' CS18 NRS RESILIENT WEDGE GATE VALVE LBS: 1500 T: 1:5		SHEET NO: 3 TOTAL SHEETS: 6 DATE: 12/2/2009 DRAWN BY: CW CHECKED BY: SP	
DATE: 12/2/2009 TIME: 10:00 AM BY: CW CHECKED BY: SP		SCALE: 1:5 MATERIAL: CS18 NRS FINISH: RESILIENT WEDGE			



MANUFACTURER'S INFORMATION COMPANY: SOLOWORKS ADDRESS: 1222/2020 CITY: CW STATE: TX ZIP: 75001		PRODUCT INFORMATION PART NO.: 10' CS18 NRS RESILIENT WEDGE GATE VALVE WEIGHT: LBS DIMENSIONS: 1:5 DATE: 12/2/2020		REVISIONS NO. 4 DATE 12/2/2020 BY SPZ CHECKED SPZ		SCALE 1:5		PROJECT SOLOWORKS 2018 SPZ			
--	--	--	--	--	--	---------------------	--	--------------------------------------	--	--	--

<u>ITEM NO.</u>	<u>COMPONENT</u>	<u>QTY.</u>	<u>SIZE</u>	<u>STANDARD MATERIAL</u>	<u>MATERIAL OPTIONS</u>
1	BODY	1	-	DUCTILE IRON	-
2	WEDGE	1	-	EPDM/DUCTILE IRON	-
3	STEM	1	-	C86700	C99500 (LOW ZINC), 304 SS, 316 SS
4	O-RING	3	#218	EPDM	BUNA-N
5	THRUST WASHER	2	-	ACETAL	C26000
6	COVER	1	-	DUCTILE IRON	-
7	O-RING	1	#452	EPDM	BUNA-N
8	O-RING PLATE	1	-	DUCTILE IRON	-
9	O-RING	1	#339	EPDM	BUNA-N
10	OPERATING NUT	1	-	CAST IRON	DUCTILE IRON, C86700, ** ϕ 18" HANDWHEEL**
11	STEM NUT	1	-	C87850	C99500 (LOW ZINC)
12	WASHER	1	1/2"	18-8 SS	316 SS
13	HEX HEAD CAP SCREW	1	1/2"-13 X 1 1/2"	18-8 SS	316 SS
14	HEX HEAD CAP SCREW	2	7/8"-9 X 3 1/2"	18-8 SS	316 SS
15	HEX NUT	2	7/8"-9	18-8 SS	316 SS
16	HEX HEAD CAP SCREW	8	5/8"-11 X 3"	18-8 SS	316 SS
17	HEX NUT	8	5/8"-11	18-8 SS	316 SS

- VALVES CONFORM WITH THE FOLLOWING STANDARDS
 - AWWA C515
 - NSF 61
- LOW ZINC BRASS STEM AND STEM NUT AVAILABLE
- 100% DOMESTIC FASTENERS AND ORINGS OPTIONS AVAILABLE
- *OPEN LEFT* (COUNTERCLOCKWISE) AND *OPEN RIGHT* (CLOCKWISE) OPTIONS AVAILABLE
- TURNS TO OPEN FROM FULLY CLOSED: 32
- AWWA MAXIMUM ALLOWABLE CLOSING TORQUE 185 FT-LBS
- OPTIONAL HANDWHEEL CAN BE SUBSTITUTED FOR STANDARD 2" SQUARE OP. NUTS.
 - **NOTE: STANDARD HANDWHEEL SIZE LISTED OUT IN PARTS LIST.**

		10' CS16 NRS RESILIENT WEDGE GATE VALVE	
DATE: 12/2/2020 TIME: 1:55 DRAWN BY: CW	CHECKED BY: [blank] APPROVED BY: [blank]	SCALE: 1:5 SHEET NO: 5 TOTAL SHEETS: 6	PROJECT NO: [blank] PROJECT NAME: [blank]