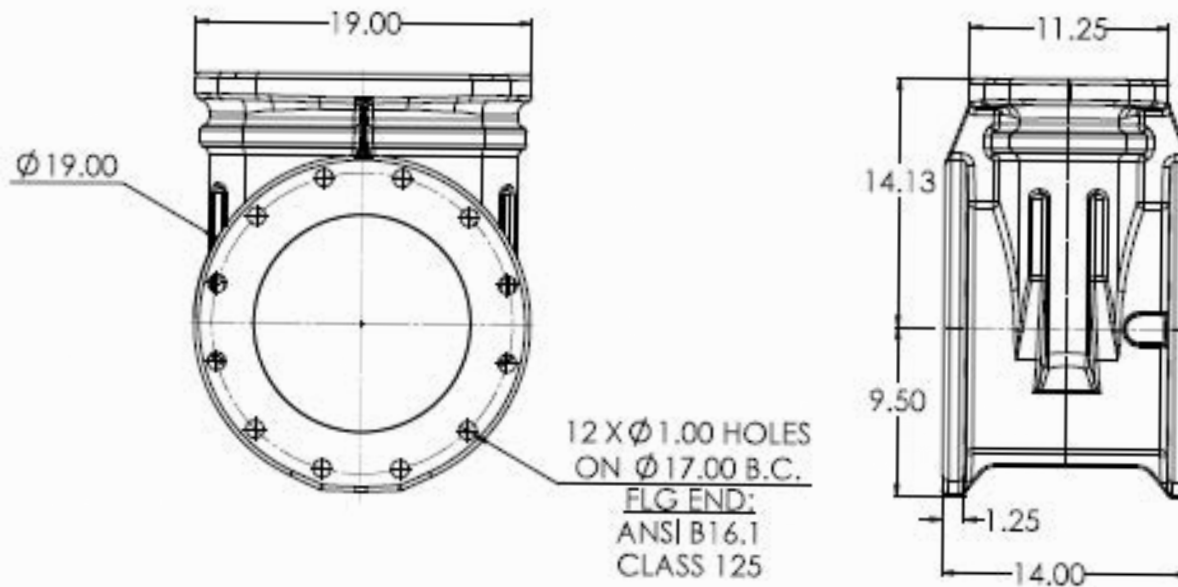


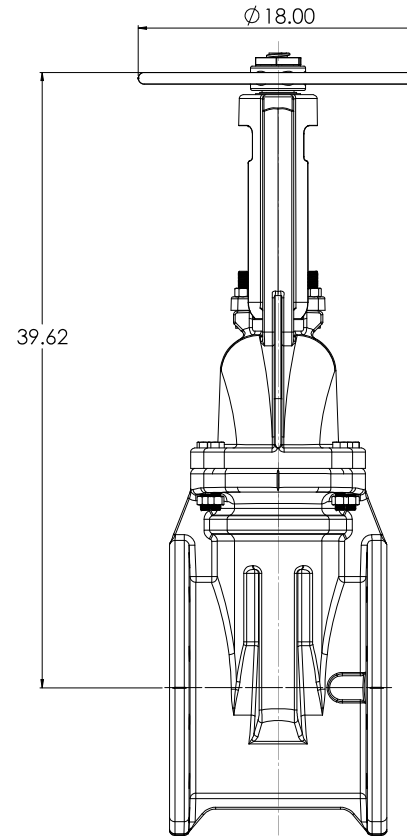
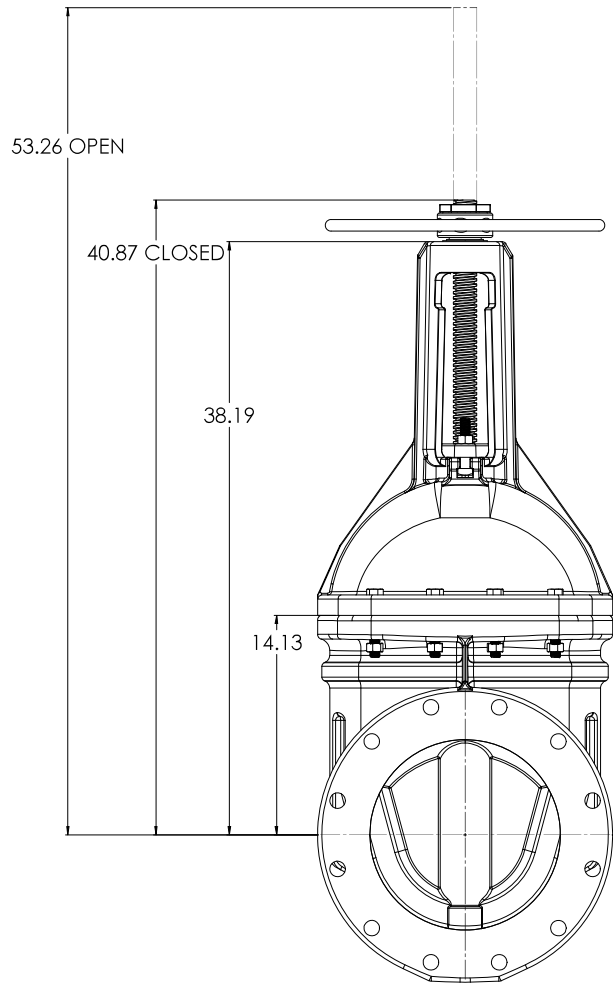
## 12" C509 FLG X FLG



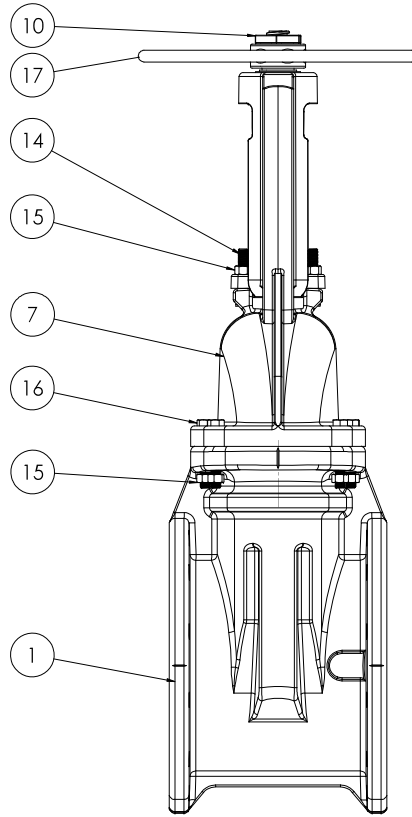
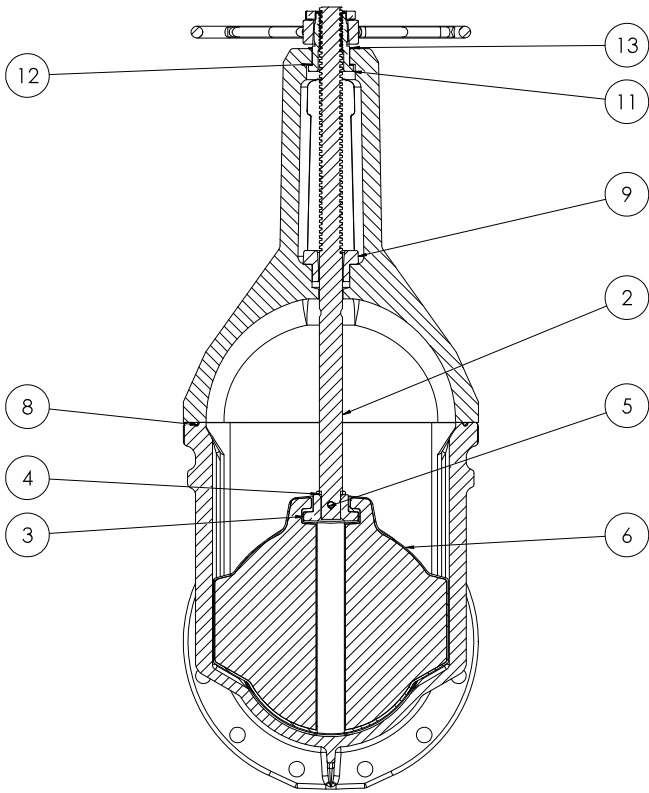
OTHER END CONNECTIONS ARE AVAILABLE UPON REQUEST.

<small>                 THE INFORMATION CONTAINED                  HEREIN IS UNCLASSIFIED EXCEPT                  WHERE SHOWN OTHERWISE             </small>		<small>                 THE INFORMATION CONTAINED                  HEREIN IS UNCLASSIFIED EXCEPT                  WHERE SHOWN OTHERWISE             </small>		DATE:	BY:
CONTROL NUMBER:	REV:	DATE:	BY:	WEIGHT:	12" C509 OS&Y RESILIENT WEDGE
PART:	QUANTITY:	PRICE:	TOTAL PRICE:	UNIT WEIGHT:	LBS. GATE VALVE
DRAWN BY:	CHECKED BY:	DATE:	BY:	SCALE:	1:5
APPROVED BY:	DATE:	BY:	DATE:	SHEET NO.	6
PROJECT:	12/3/2020	DRAWN:	CW	SHEET NO.	6
PROJECT:	12/3/2020	DRAWN:	CW	SHEET NO.	6
PROJECT:	12/3/2020	DRAWN:	CW	SHEET NO.	6

### OS&Y WITH HANDWHEEL



<b>VALVE SPECIFICATIONS</b> VALVE TYPE: OS&Y VALVE SIZE: 12"		<b>GENERAL INFORMATION</b> DRAWING NO: 12" OS&Y RESILIENT WEDGE GATE VALVE DATE: 12/3/2009		
MATERIAL: CS END USE: INDUSTRIAL	WEIGHT: 135 LBS HEIGHT: 53.26"	<b>REVISIONS</b> 1: 12/3/2009 2: 12/3/2009		
<b>PROJECT INFORMATION</b> PROJECT NO: 12" OS&Y RESILIENT WEDGE GATE VALVE PROJECT NAME: LBS GATE VALVE PROJECT LOCATION: T-110				SHEET NO: 3 TOTAL SHEETS: 6 DRAWING BY: D



<b>COMPANY</b> COMPANY NAME ADDRESS CITY, STATE, ZIP PHONE FAX E-MAIL WEBSITE		<b>PROJECT</b> PROJECT NAME PROJECT NUMBER PROJECT LOCATION PROJECT DATE		<b>REVISIONS</b> NO. DATE BY DESCRIPTION	
<b>DESIGNER</b> NAME DATE	<b>CHECKED</b> NAME DATE	<b>APPROVED</b> NAME DATE	<b>SCALE</b> SCALE	<b>UNIT</b> UNIT	<b>DATE</b> DATE
<b>DESCRIPTION</b> 12" C509 CS&Y RESILIENT WEDGE GATE VALVE			<b>WEIGHT</b> WEIGHT	<b>PRICE</b> PRICE	<b>STATUS</b> STATUS
<b>DATE</b> DATE		<b>CW</b> CW	<b>12/20/2020</b> 12/20/2020	<b>T:10</b> T:10	<b>6</b> 6

<u>ITEM NO.</u>	<u>COMPONENT</u>	<u>QTY.</u>	<u>SIZE</u>	<u>STANDARD MATERIAL</u>	<u>MATERIAL OPTIONS</u>
1	BODY	1	-	CAST IRON	DUCTILE IRON
2	STEM	1	-	C65500	304 SS, 316 SS
3	OPERATING NUT	1		C87610	C87850, C87845, C89833, C99500 (LOW ZINC)
4	O-RING	1	#325	EPDM	BUNA-N
5	COILED SPRING PIN	1	1/2" X 2 3/4"	303 SS	-
6	WEDGE	1	-	EPDM/DUCTILE IRON	-
7	COVER	1	-	CAST IRON	DUCTILE IRON
8	O-RING	1	#455	EPDM	BUNA-N
9	GLAND	1	-	CAST IRON	-
10	HOLD DOWN NUT	1	-	C87850	C87610
11	TOP STEM NUT	1	-	C86700	C99400 (LOW ZINC)
12	THRUST WASHER	1	-	NYLATRON	-
13	THRUST WASHER	2	-	C26000	-
14	SQUARE HEAD CAPSCREW	2	5/8"-11 X 3 1/4"	18-8 SS	316 SS
15	HEX NUT	10	5/8"-11	18-8 SS	316 SS
16	HEX HEAD CAPSCREW	8	5/8"-11 X 4"	18-8 SS	316 SS
17	HANDWHEEL	1	Ø 18"	DUCTILE IRON	-

- VALVES CONFORM WITH THE FOLLOWING STANDARDS
  - AWWA C509
  - NSF 61
- 100% DOMESTIC FASTENERS AND ORINGS OPTIONS AVAILABLE
- *OPEN LEFT* (COUNTERCLOCKWISE) AND *OPEN RIGHT* (CLOCKWISE) OPTIONS AVAILABLE
- TURNS TO OPEN FROM FULLY CLOSED: 38
- AWWA MAXIMUM ALLOWABLE CLOSING TORQUE 200 FT-LBS

<small>         COMPANY: <b>SWISS VALVE COMPANY</b>          ADDRESS: 12345 INDUSTRIAL BLVD, CHICAGO, IL 60601          PHONE: (773) 555-1234 FAX: (773) 555-5678          WWW.SWISSVALVE.COM       </small>		<small>         PROJECT: <b>12" C509 CS&amp;Y RESILIENT WEDGE GATE VALVE</b>          DRAWING NO: <b>12" C509 CS&amp;Y RESILIENT WEDGE GATE VALVE</b>          DATE: <b>12/3/2020</b> </small>			
<small>         DESIGNED BY: <b>AWW</b>          CHECKED BY: <b>AWW</b>          DATE: <b>12/3/2020</b> </small>	<small>         MANUFACTURED BY: <b>AWW</b>          DATE: <b>12/3/2020</b> </small>	<small>         MATERIALS: <b>AWW</b>          DATE: <b>12/3/2020</b> </small>	<small>         FINISHES: <b>AWW</b>          DATE: <b>12/3/2020</b> </small>	<small>         WEIGHT: <b>AWW</b>          DATE: <b>12/3/2020</b> </small>	<small>         SCALE: <b>AWW</b>          DATE: <b>12/3/2020</b> </small>
<small>         PROJECT NO: <b>12" C509 CS&amp;Y RESILIENT WEDGE GATE VALVE</b>          DRAWING NO: <b>12" C509 CS&amp;Y RESILIENT WEDGE GATE VALVE</b>          DATE: <b>12/3/2020</b> </small>		<small>         WEIGHT: <b>AWW</b>          DATE: <b>12/3/2020</b> </small>		<small>         SCALE: <b>AWW</b>          DATE: <b>12/3/2020</b> </small>	<small>         WEIGHT: <b>AWW</b>          DATE: <b>12/3/2020</b> </small>
<small>         PROJECT NO: <b>12" C509 CS&amp;Y RESILIENT WEDGE GATE VALVE</b>          DRAWING NO: <b>12" C509 CS&amp;Y RESILIENT WEDGE GATE VALVE</b>          DATE: <b>12/3/2020</b> </small>		<small>         WEIGHT: <b>AWW</b>          DATE: <b>12/3/2020</b> </small>		<small>         SCALE: <b>AWW</b>          DATE: <b>12/3/2020</b> </small>	<small>         WEIGHT: <b>AWW</b>          DATE: <b>12/3/2020</b> </small>