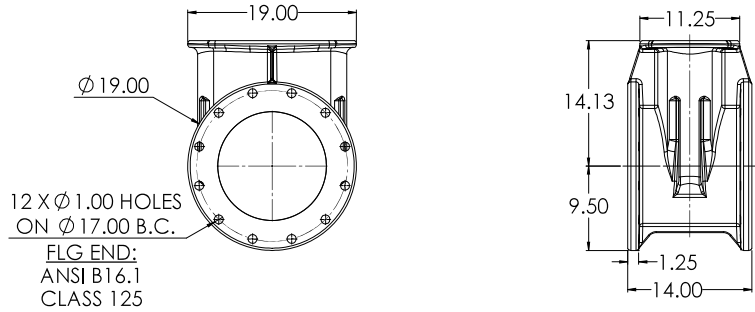
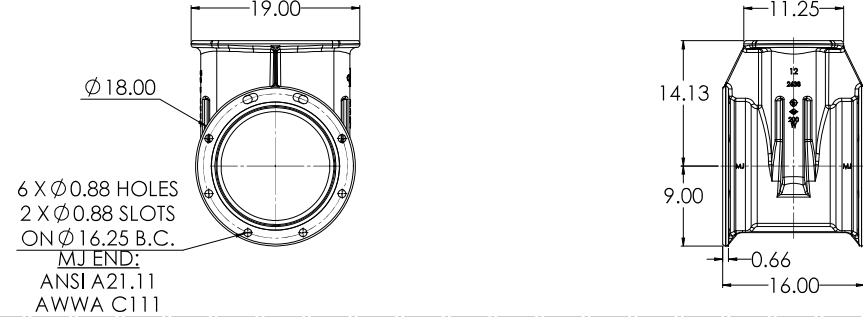


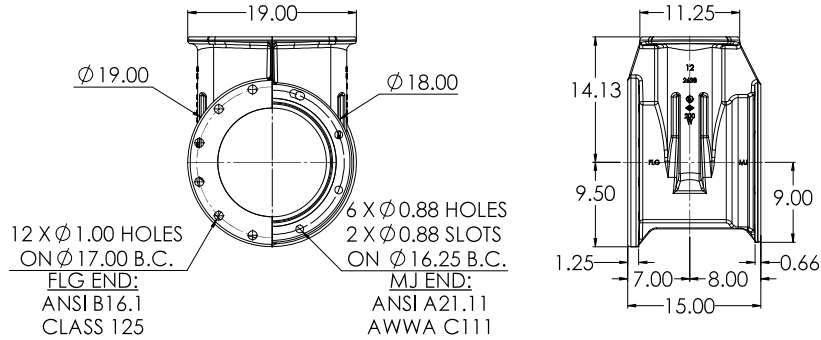
**12" C515 FLG X FLG**



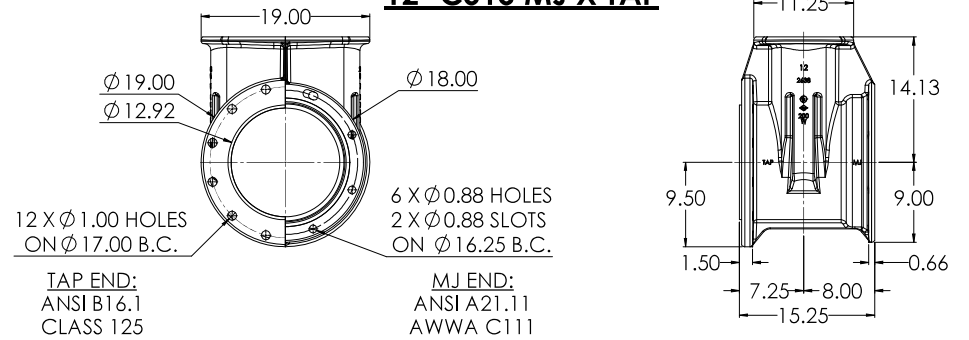
**12" C515 MJ X MJ**



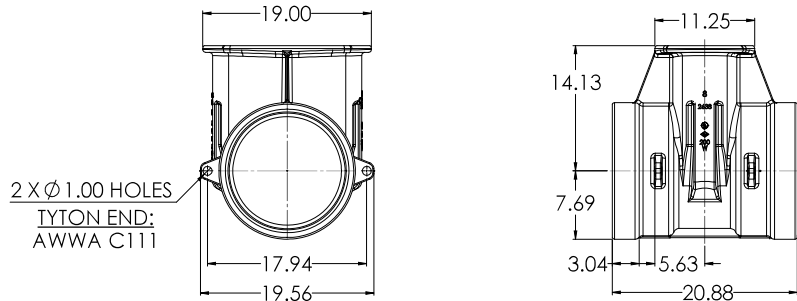
**12" C515 FLG X MJ**



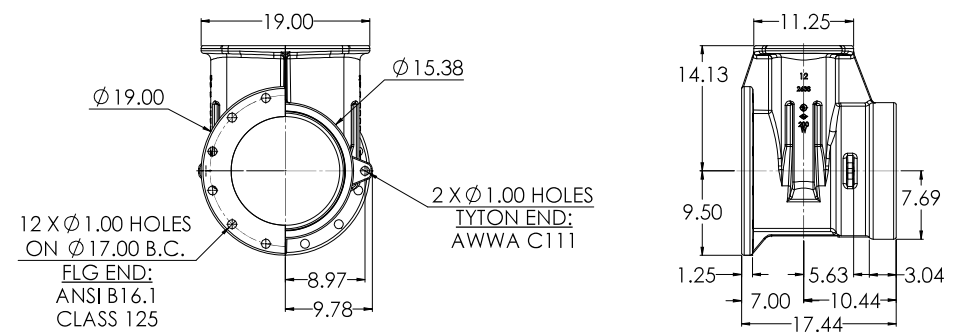
**12" C515 MJ X TAP**



**12" C515 TYTON X TYTON**

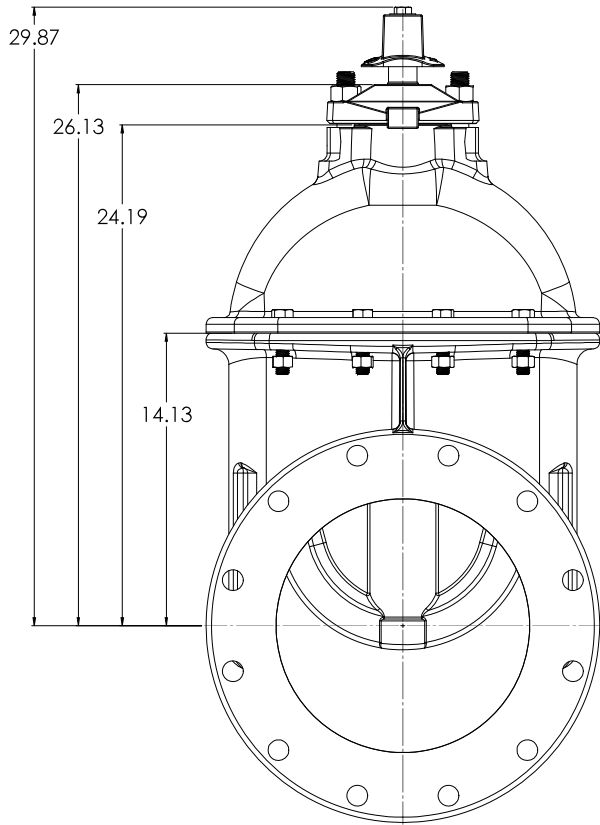


**12" C515 FLG X TYTON**

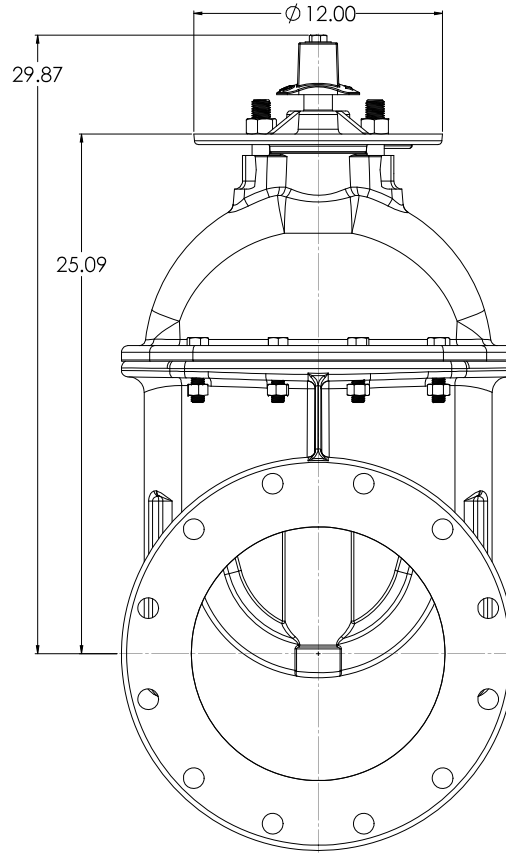


COMPANY: <b>12" C515 NRS RESILIENT WEDGE</b> DATE: 12/23/2020 DRAWN BY: <b>CW</b> CHECKED BY: <b>SP</b> APPROVED BY: <b>SP</b>	PROJECT: <b>12" C515 NRS RESILIENT WEDGE</b> SHEET NO: <b>5</b> TOTAL SHEETS: <b>5</b> SCALE: <b>1:5</b> DATE: <b>12/23/2020</b>	DRAWING NO: <b>12" C515 NRS RESILIENT WEDGE</b> SHEET NO: <b>5</b> TOTAL SHEETS: <b>5</b> SCALE: <b>1:5</b> DATE: <b>12/23/2020</b>	COMPANY: <b>12" C515 NRS RESILIENT WEDGE</b> DATE: <b>12/23/2020</b> DRAWN BY: <b>CW</b> CHECKED BY: <b>SP</b> APPROVED BY: <b>SP</b>
--	--	---	---

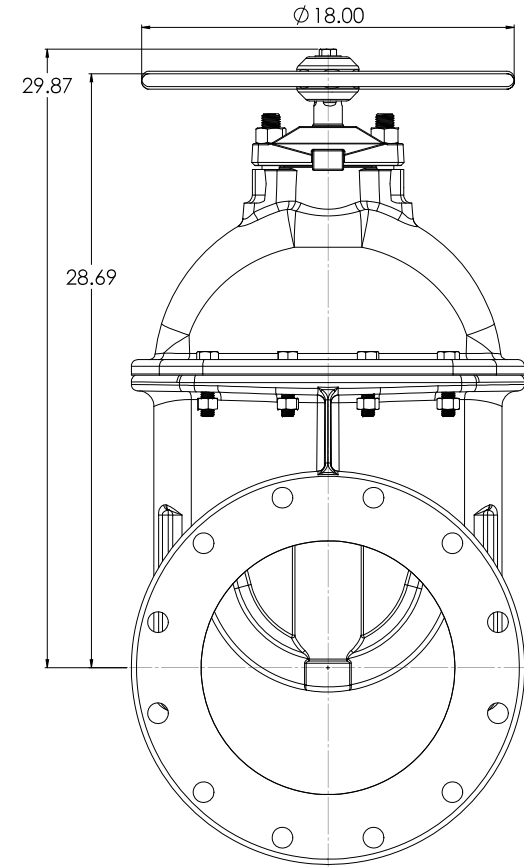
**OPERATING NUT WITH  
O-RING PLATE**



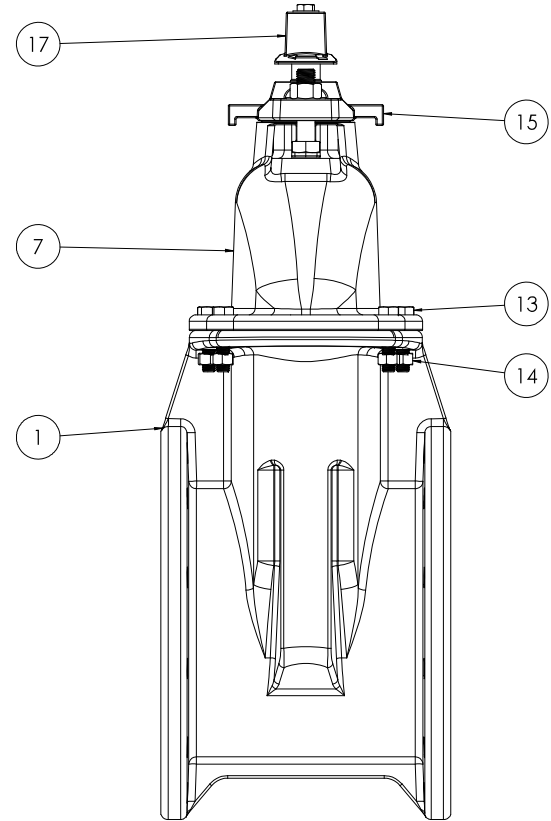
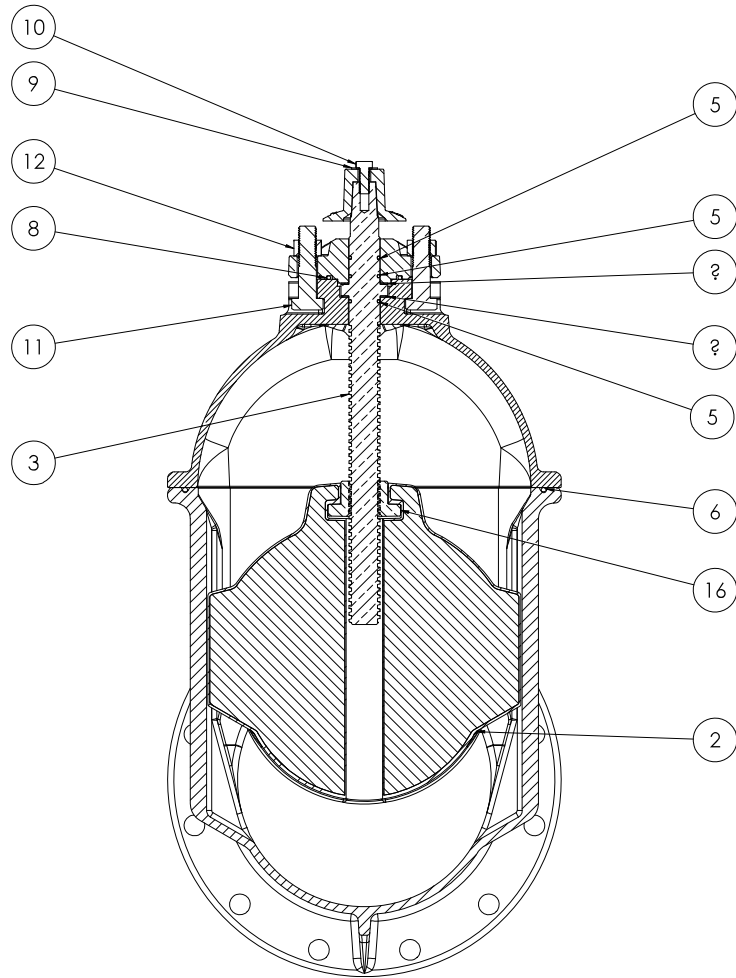
**OPERATING NUT WITH  
INDICATOR POST PLATE**



**HANDWHEEL WITH  
O-RING PLATE**



COMPANY: <b>12" CS18 NRS RESILIENT WEDGE GATE VALVE</b> PART: <b>OPERATING NUT WITH O-RING PLATE</b> DATE: <b>12/29/2020</b>		DRAWN BY: <b>CW</b> CHECKED BY: <b>12/29/2020</b> SCALE: <b>1:5</b>		SHEET NO: <b>2</b> TOTAL SHEETS: <b>5</b> PROJECT: <b>12" CS18 NRS RESILIENT WEDGE GATE VALVE</b> DRAWING NO: <b>12/29/2020</b>	
--	--	---	--	--	--



<b>COMPANY</b> 1234567890 1234567890 1234567890		<b>PROJECT</b> 1234567890 1234567890 1234567890		<b>DATE</b> 12/20/2020	
<b>REV</b> 1 2 3 4 5	<b>DATE</b> 12/20/2020 12/20/2020 12/20/2020 12/20/2020 12/20/2020	<b>BY</b> 1234567890 1234567890 1234567890 1234567890 1234567890	<b>CHECKED</b> 1234567890 1234567890 1234567890 1234567890 1234567890	<b>SCALE</b> 1:5	<b>TITLE</b> 12" CS18 NRS RESILIENT WEDGE GATE VALVE
<b>APPROVED</b> 1234567890 1234567890		<b>DATE</b> 12/20/2020		<b>SCALE</b> 1:5	



3  
5  
D

<u>ITEM NO.</u>	<u>COMPONENT</u>	<u>QTY.</u>	<u>SIZE</u>	<u>STANDARD MATERIAL</u>	<u>MATERIAL OPTIONS</u>
1	BODY	1	-	DUCTILE IRON	-
2	WEDGE	1	-	EPDM/DUCTILE IRON	-
3	STEM	1	-	C86700	C9950 (LOW ZINC), 304 SS, 316 SS
4	THRUST WASHER	2	-	ACETAL	C26000
5	O-RING	3	#218	EPDM	BUNA-N
6	O-RING	1	#455	EPDM	BUNA-N
7	COVER	1	-	DUCTILE IRON	-
8	O-RING	1	#339	EPDM	BUNA-N
9	WASHER	1	1/2"	18-8 SS	316 SS
10	HEX HEAD CAPSCREW	1	1/2"-13 X 1 1/4"	18-8 SS	316 SS
11	HEX HEAD CAPSCREW	2	7/8"-9 X 3 1/2"	18-8 SS	316 SS
12	HEX NUT	2	7/8"-9	18-8 SS	316 SS
13	HEX HEAD CAPSCREW	8	5/8"-11 X 2 3/4"	18-8 SS	316 SS
14	HEX NUT	8	5/8"-11	18-8 SS	316 SS
15	O-RING PLATE	1	-	DUCTILE IRON	**INDICATOR POST PLATE**
16	STEM NUT	1	-	C87850	C99500 (LOW ZINC)
17	OPERATING NUT	1	-	CAST IRON	C86700, DUCTILE IRON, **Ø 18" HANDWHEEL**

- VALVES CONFORM WITH THE FOLLOWING STANDARDS
  - AWWA C515
  - NSF 61
- LOW ZINC BRASS STEM AND STEM NUT AVAILABLE
- 100% DOMESTIC FASTENERS AND ORINGS OPTIONS AVAILABLE
- *OPEN LEFT* (COUNTERCLOCKWISE) AND *OPEN RIGHT* (CLOCKWISE) OPTIONS AVAILABLE
- TURNS TO OPEN FROM FULLY CLOSED: 38
- AWWA MAXIMUM ALLOWABLE CLOSING TORQUE 200 FT-LBS
- OPTIONAL HANDWHEEL CAN BE SUBSTITUTED FOR STANDARD 2" SQUARE OP. NUTS.
  - **\*\*NOTE: STANDARD HANDWHEEL SIZE LISTED OUT IN PARTS LIST.\*\***

COMPANY: <b>STANLEY</b> ADDRESS: <b>1000 W. 10TH AVENUE, SUITE 1000, DENVER, CO 80202</b> PHONE: <b>303.440.1000</b> FAX: <b>303.440.1001</b> WWW: <b>WWW.STANLEY.COM</b>		PRODUCT: <b>12" CS18 NRS RESILIENT WEDGE GATE VALVE</b> PART NO: <b>12" CS18 NRS RESILIENT WEDGE GATE VALVE</b> QTY: <b>4</b> UNIT: <b>LBS</b> WEIGHT: <b>5</b>		DATE: <b>12/2/2020</b> TIME: <b>1:5</b> USER: <b>StanleyWorks 2016 SP2</b>		 <b>D</b>
---	--	---	--	--	--	---