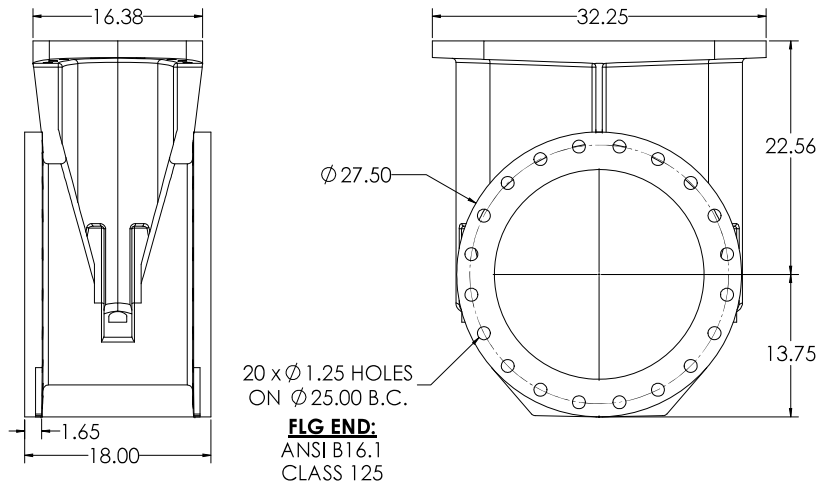
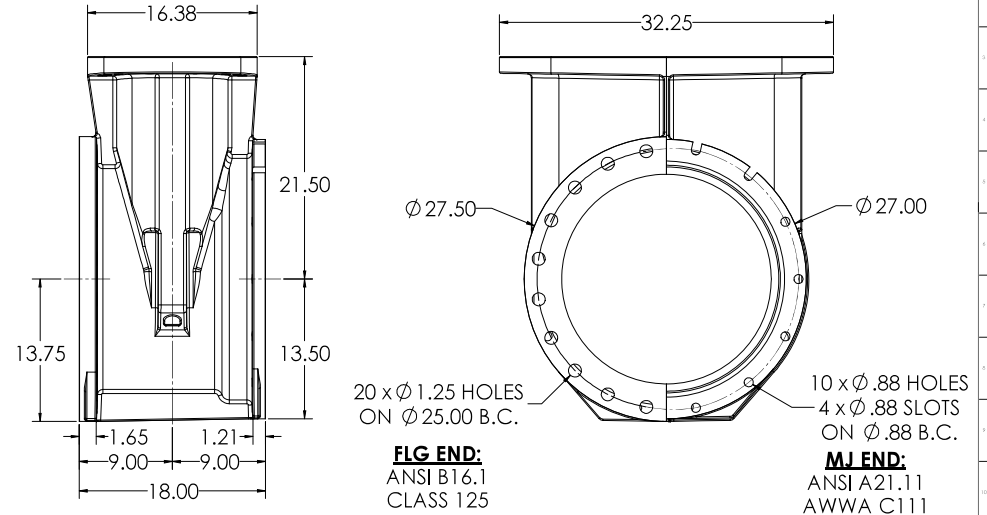


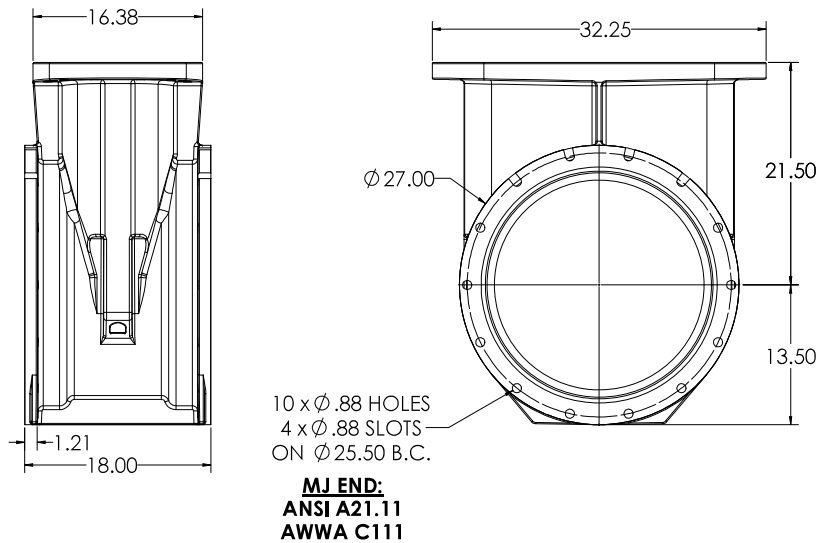
20" C515 FLG X FLG



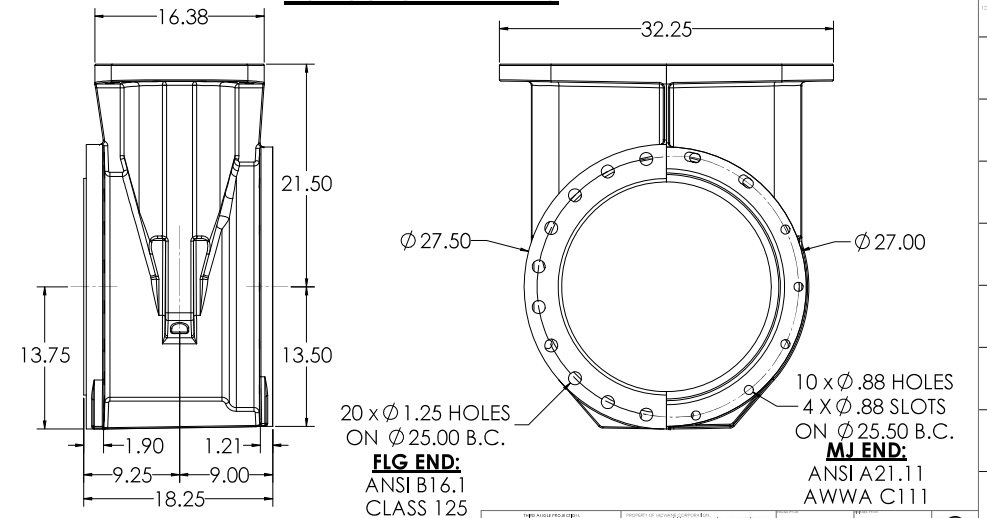
20" C515 FLG X MJ



20" C515 MJ X MJ

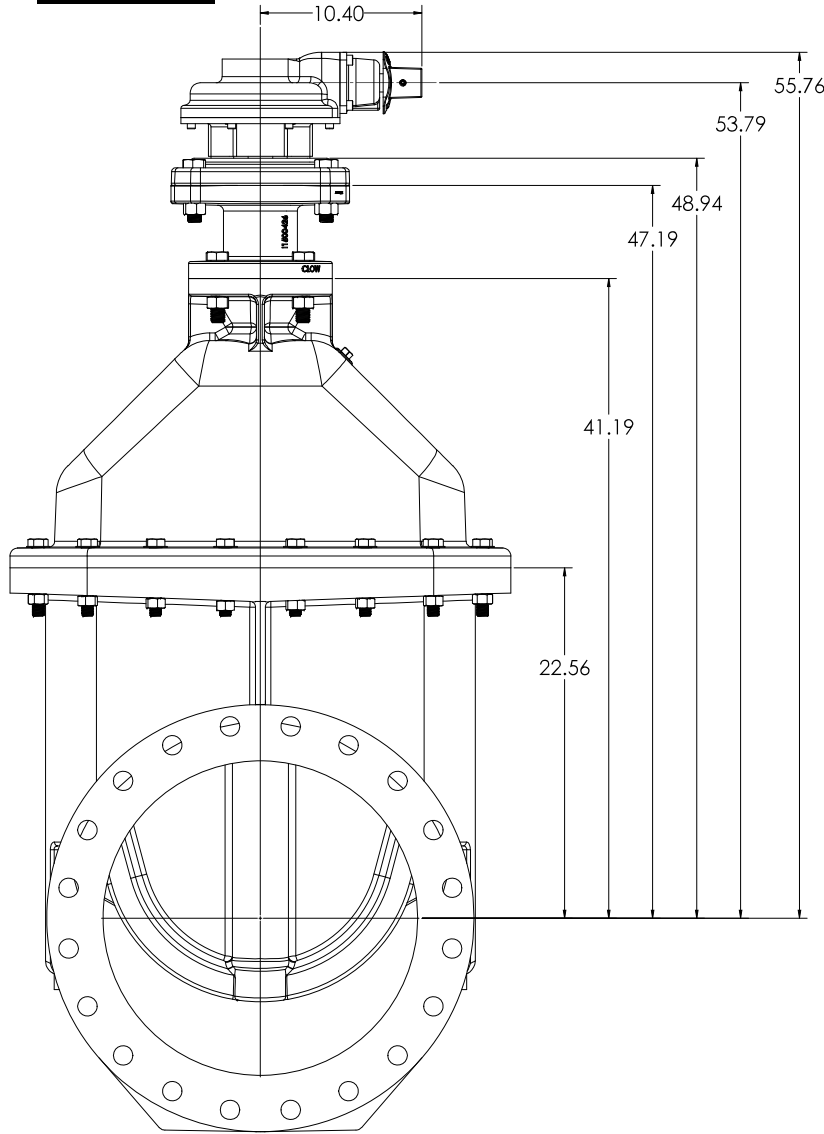


20" C515 TAP X MJ

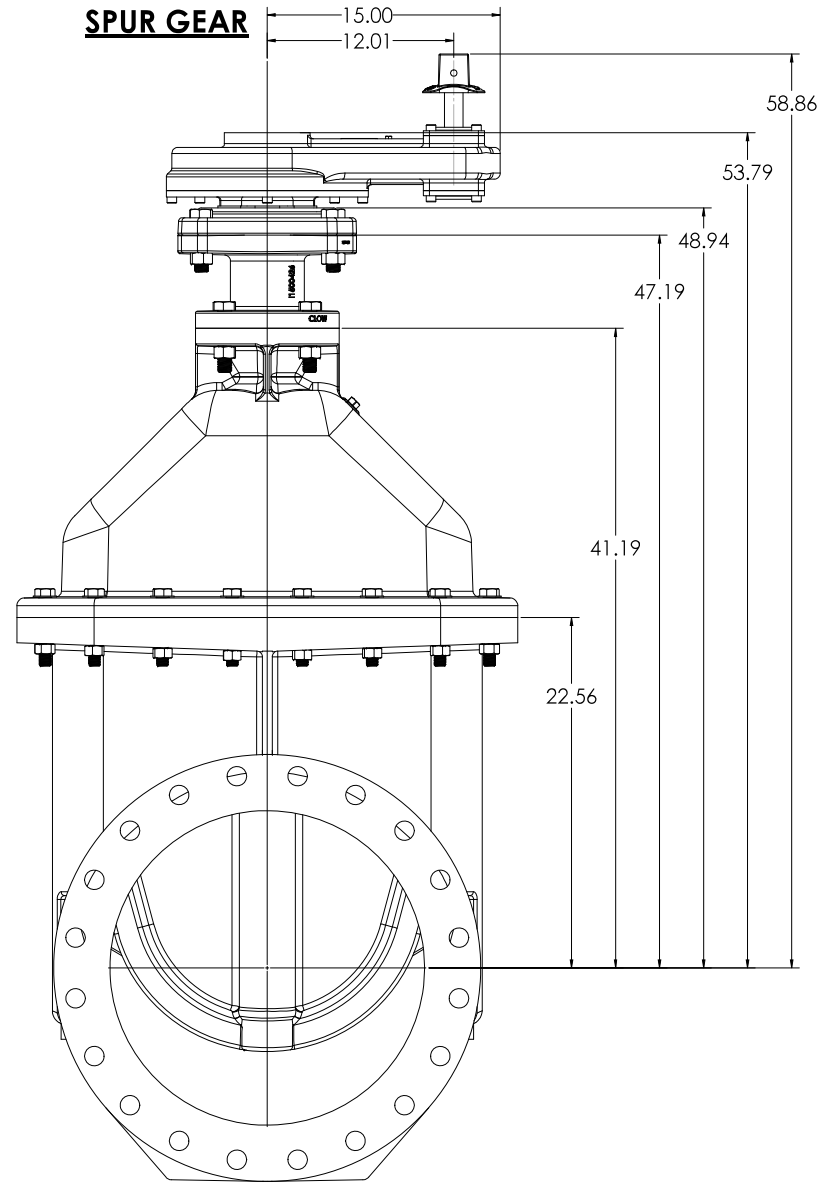


DWG NO: 104320 DATE: 1/11/16 DESIGNED BY: [REDACTED] CHECKED BY: [REDACTED] APPROVED BY: [REDACTED]	PROJECT NO: [REDACTED] PROJECT NAME: 20" C515 NRS GEARED RESILIENT WEDGE GATE VALVE LBS: [REDACTED] T/G: [REDACTED]	SHEET NO: 7 TOTAL SHEETS: 7 SCALE: [REDACTED]	S:\Projects\2016\104320\104320.dwg 1/11/16 10:00 AM DWG
---	--	---	---

BEVEL GEAR

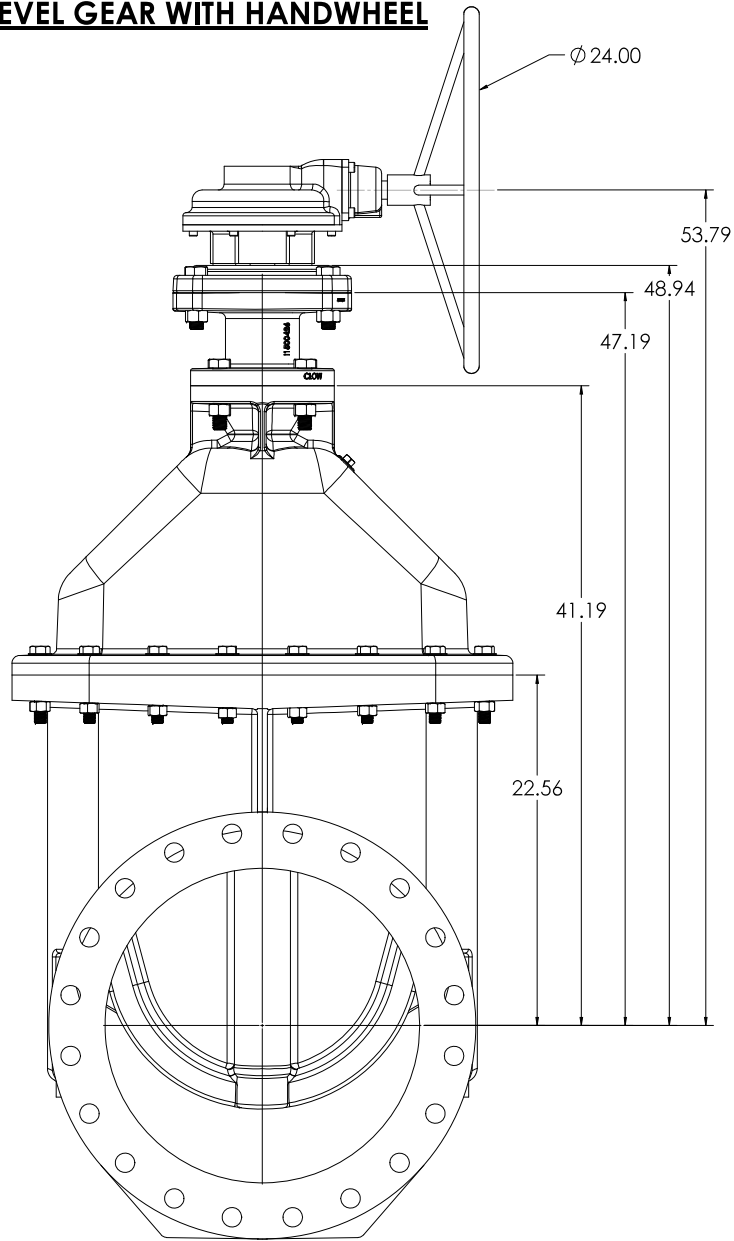


SPUR GEAR

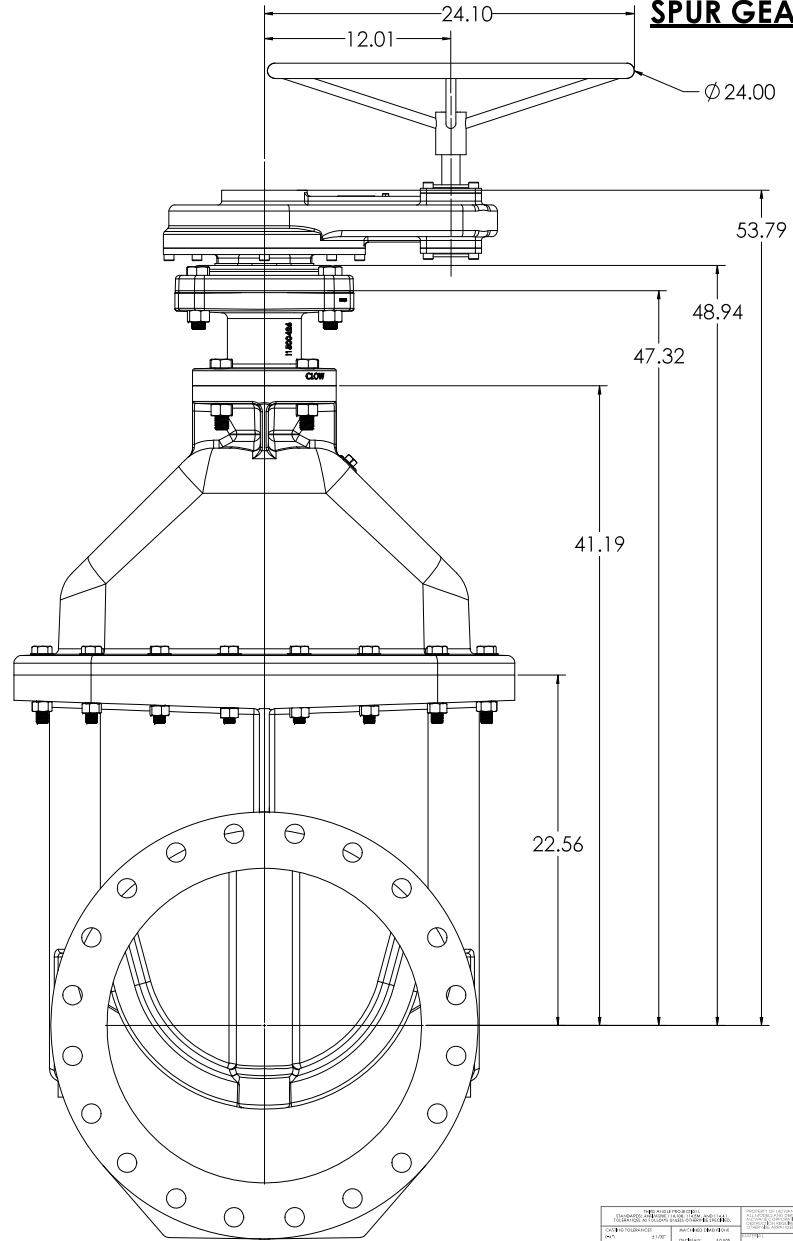


REVISED DWG NO: 124320 DATE: 1/20/16		PROJECT NO: 124320 PROJECT NAME: 20" CS15 NRS GEARED RESILIENT WEDGE GATE VALVE		SHEET NO: 7 TOTAL SHEETS: 7	
DESIGNED BY: [Name] CHECKED BY: [Name] DATE: [Date]	DRAWN BY: [Name] DATE: [Date]	PROJECT NO: 124320 PROJECT NAME: 20" CS15 NRS GEARED RESILIENT WEDGE GATE VALVE	SHEET NO: 7 TOTAL SHEETS: 7	SCALE: T:4	DWG NO: 124320

BEVEL GEAR WITH HANDWHEEL

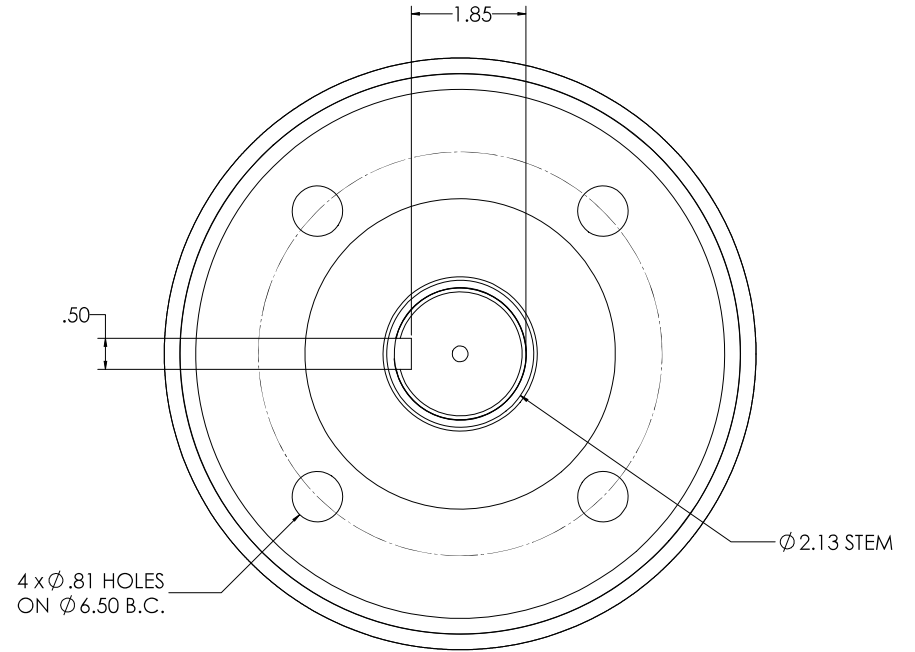
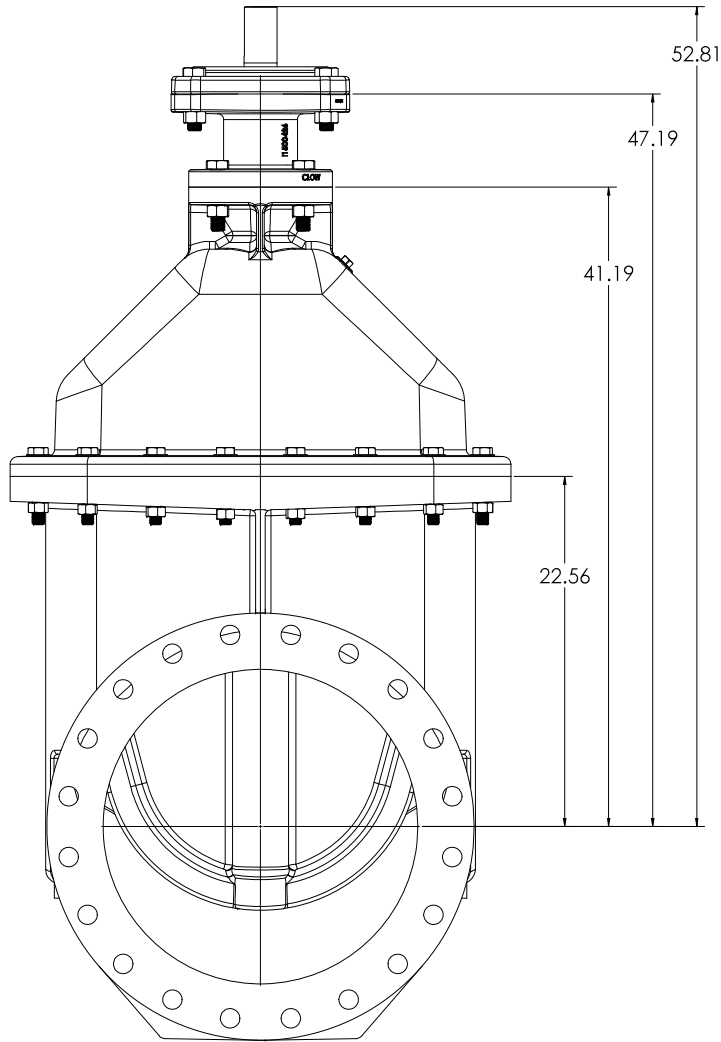


SPUR GEAR WITH HANDWHEEL



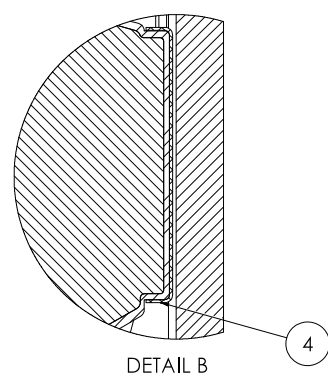
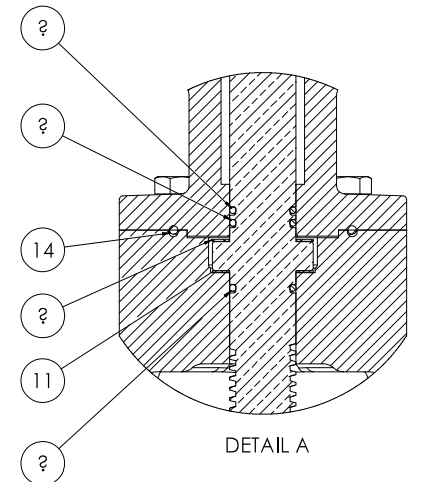
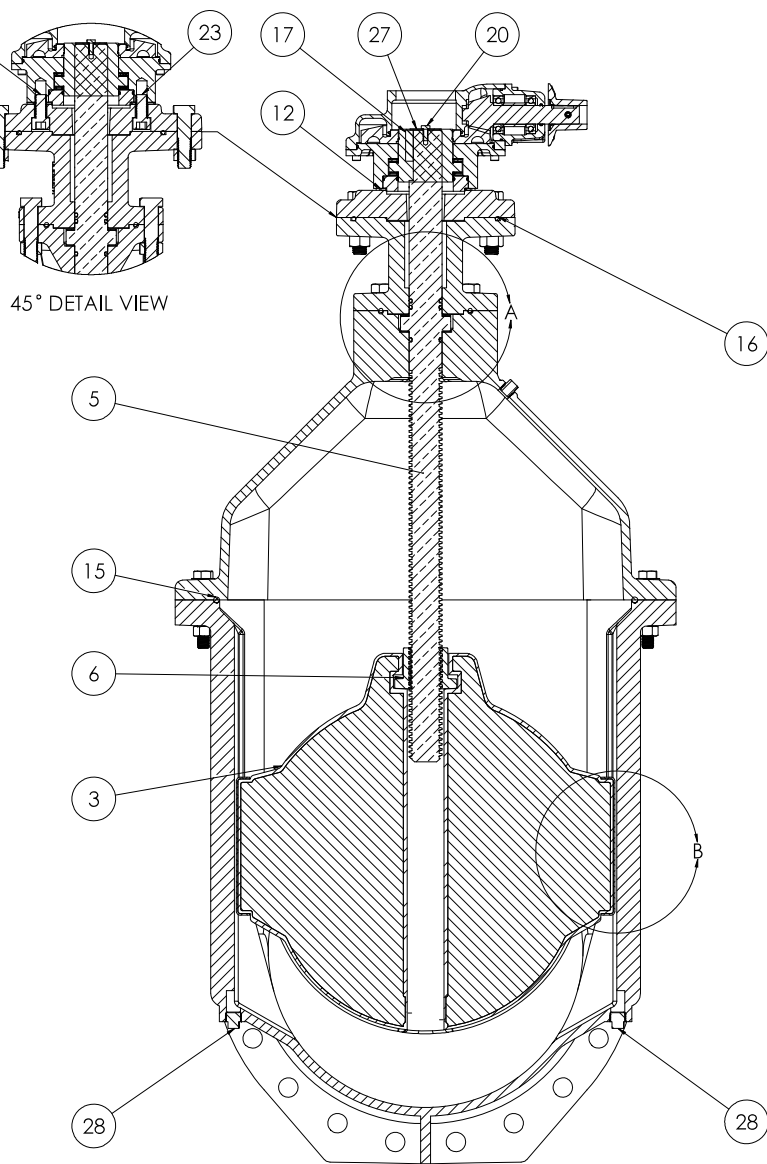
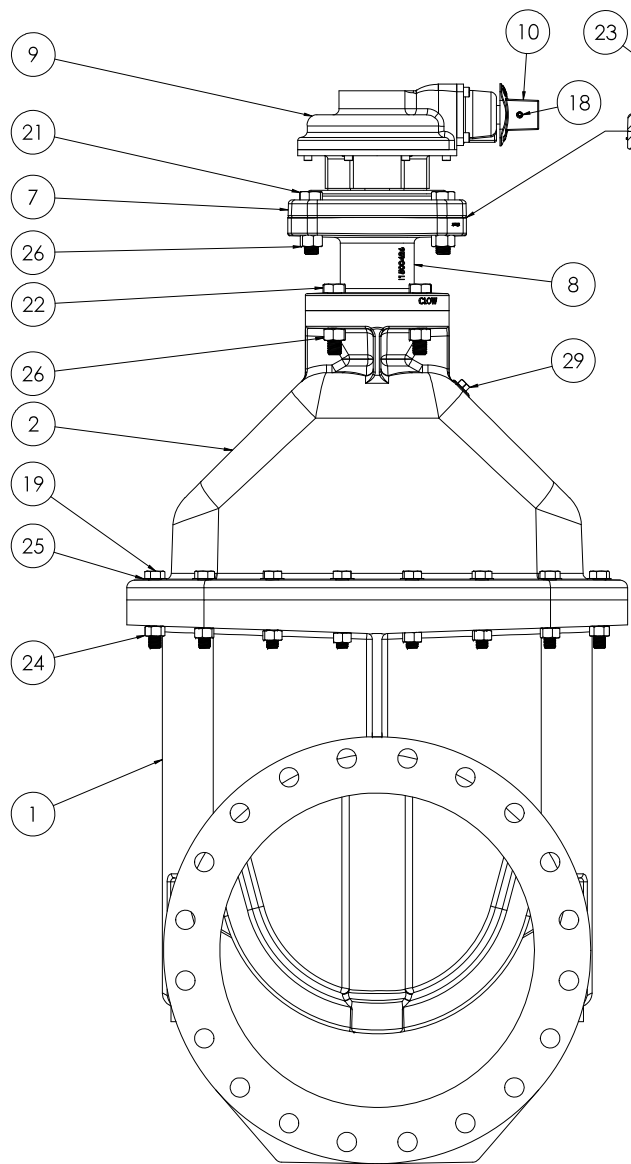
DWG NO: 104320 DATE: 01/11/16 DRAWN BY: DWI CHECKED BY: TAD		PROJECT NO: 104320 PROJECT NAME: 20" CS15 NRS GEARED RESILIENT WEDGE GATE VALVE SCALE: T:4 SHEET NO: 7		3 D
--	--	---	--	--------

BARE STEM



**BARE STEM
MOUNTING FLANGE**

DWG NO: 124320 DATE: 12/15/16 DRAWN: DWI CHECKED: [Signature] APPROVED: [Signature]		PROJECT: 20" CS15 NRS GEARED RESILIENT WEDGE GATE VALVE LBS: [Blank] SCALE: T:4 SHEET: 7		4 D
---	--	---	--	--------



SECTION E-F

DWG NO: 1043620 DATE: 10/1/10 DWG BY: [Name] CHECKED BY: [Name]		PROJECT NO: [Number] PROJECT NAME: [Name] SHEET NO: 5 TOTAL SHEETS: 7		
TITLE: 20" CS15 NRS GEARED RESILIENT WEDGE GATE VALVE		SCALE: T:4		DATE: 10/1/10

<u>ITEM NO.</u>	<u>COMPONENT</u>	<u>QTY.</u>	<u>SIZE</u>	<u>STANDARD MATERIAL</u>	<u>MATERIAL OPTIONS</u>
1	BODY	1	-	DUCTILE IRON	-
2	COVER	1	-	DUCTILE IRON	-
3	WEDGE	1	-	DUCTILE IRON/EPDM	-
4	WEDGE CAP	2	-	DELFIN	-
5	STEM	1	2 1/8"	C86200	C99500, 304 SS 316 SS
6	STEM NUT	1	-	C87610	C87850, C99500
7	ADAPTOR PLATE	1	-	DUCTILE IRON	-
8	EXTENSION PLATE	1	-	DUCTILE IRON	-
9	BEVEL GEAR	1	-	-	SPUR GEAR
10	OPERATING NUT	1	-	CAST IRON	304 SS, C86700 ** ϕ 24.00 HANDWHEEL**
11	THRUST WASHER	2	-	DELFIN	-
12	ACTUATOR GASKET	1	-	BUNA-N	-
13	O-RING	3	#327	EPDM	BUNA-N
14	O-RING	1	#433	EPDM	BUNA-N
15	O-RING	1	#469	EPDM	BUNA-N
16	O-RING	1	#447	EPDM	BUNA-N
17	KEY	1	1/2" X 1/2" X 2"	18-8	-
18	COILED SPRING PIN	1	10mm X 45mm	302 SS OR 304 SS	-
19	HEX HEAD CAPSCREW	16	3/4" X 4 1/2"	18-8 SS	316 SS
20	HEX HEAD CAPSCREW	1	5/16" X 3/4"	18-8 SS	316 SS
21	HEX HEAD CAPSCREW	4	7/8" X 3 1/2"	18-8 SS	316 SS
22	HEX HEAD CAPSCREW	4	7/8" X 4"	18-8 SS	316 SS
23	SOCKET HEAD CAPSCREW	4	3/4" X 1 1/2"	18-8 SS	316 SS
24	HEX NUT	16	3/4" - 10	18-8 SS	316 SS
25	FLAT WASHER	16	3/4"	18-8 SS	316 SS
26	HEX NUT	8	7/8" - 9	18-8 SS	316 SS
27	FENDER WASHER	1	5/16"	18-8 SS	316 SS
28	PIPE PLUG	2	3/4" - NPT	304 SS	316 SS
29	PIPE PLUG	1	1/2" - NPT	304 SS	316 SS

- VALVES CONFORM WITH FOLLOWING STANDARDS
 - AWWA C515
 - NSF 61
- LOW ZINC BRASS STEM AND STEM NUT AVAILABLE
- 100% DOMESTIC FASTENER AND O-RING OPTIONS AVAILABLE
- OPEN LEFT (COUNTERCLOCKWISE) AND OPEN RIGHT (CLOCKWISE) OPTIONS AVAILABLE
- TURNS TO OPEN FROM FULLY CLOSED:
 - 192
 - +/- 5% WITH STANDARD 3:1 BEVEL OR SPUR GEAR
- AWWA MAXIMUM ALLOWABLE CLOSING TORQUE 250 FT-LBS WITH STANDARD GEARING
- OPTIONAL HANDWHEEL CAN BE SUBSTITUTED FOR STANDARD 2" SQUARE OP NUTS
 - **NOTE: STANDARD HANDWHEEL SIZE CALLED OUT IN PARTS LIST**

DWG NO. 124320 DATE 12/10/10 DWG BY DWI CHECKED BY APPROVED BY		PROJECT NO. 124320 PROJECT NAME SHEET NO. 6 TOTAL SHEETS 7		TITLE 20" CS15 NRS GEARED RESILIENT WEDGE GATE VALVE LBS. T:4 ScaleWorks 2016 SP2		
--	--	---	--	---	--	---