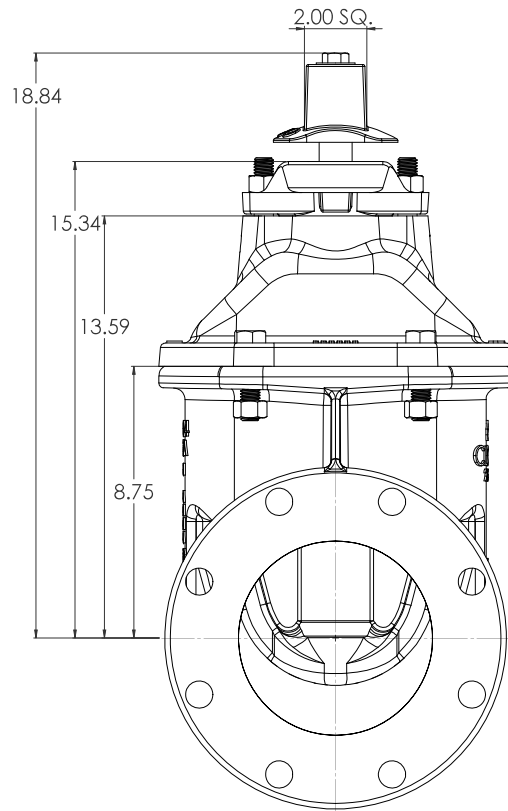
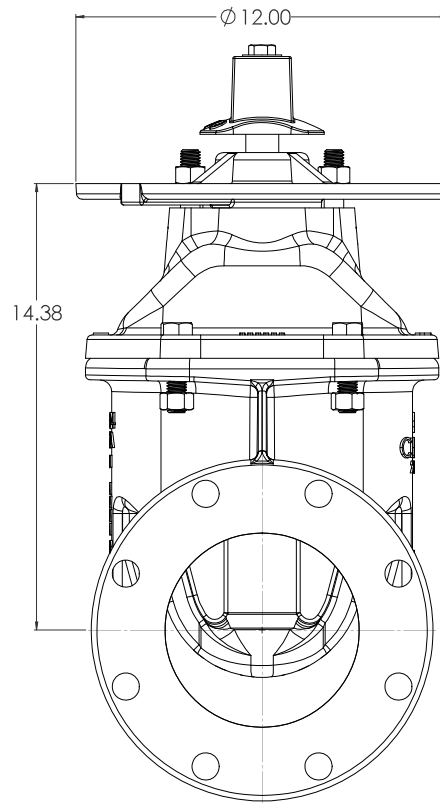


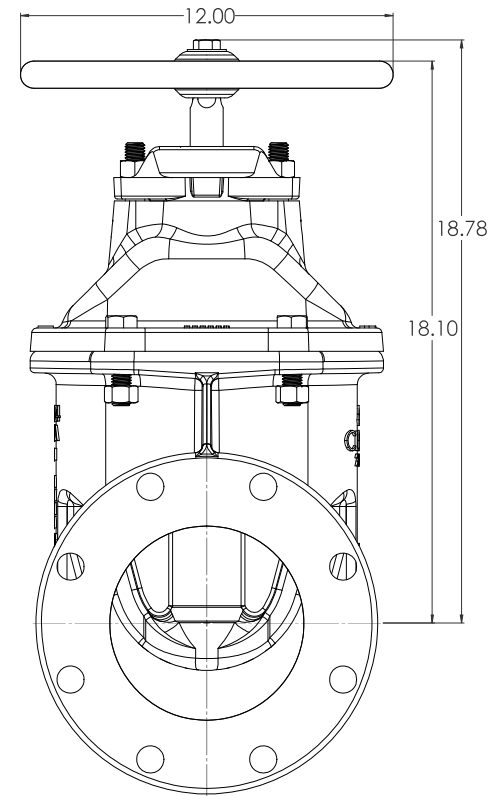
**OPERATING NUT WITH
O-RING PLATE**



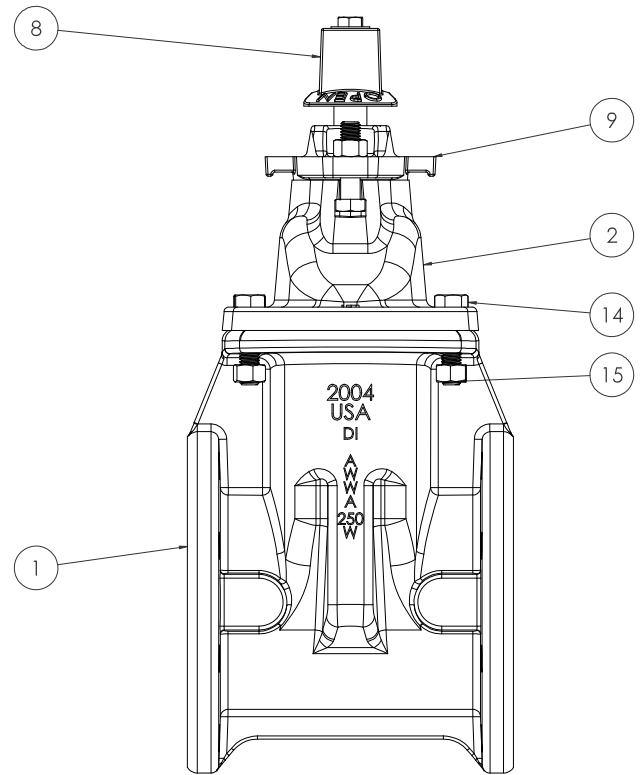
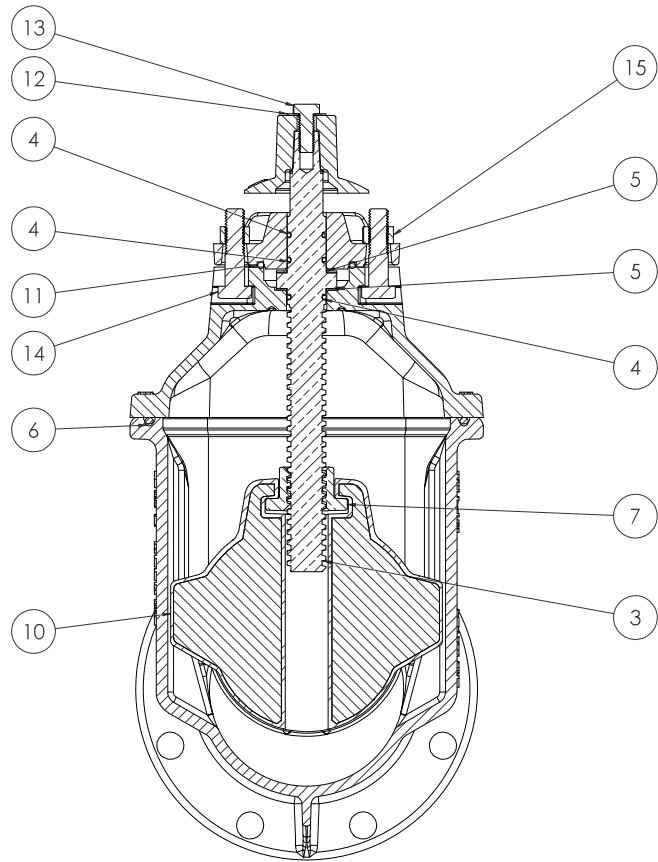
**OPERATING NUT WITH
INDICATOR POST PLATE**



**HANDWHEEL WITH
O-RING PLATE**



REVISED DATE: 10/01/2020 BY: CW		DESCRIPTION 06" CS18 NRS RESILIENT WEDGE GATE VALVE		SCALE T:2	DATE 10/01/2020	PROJECT SoluWorks 2016 SP2	3 6	
--	--	--	--	---------------------	---------------------------	--------------------------------------	----------------------	--



WORLDWIDE VALVE MANUFACTURING 10000 W. 10th St., Omaha, NE 68144 (402) 426-1000		06" CS18 NRS RESILIENT WEDGE GATE VALVE		
ORDER NUMBER: 41000 DATE: 4/20/20 PRICE: 2100.00 QUANTITY: 100 WEIGHT: 100	PART NUMBER: 25000 DESCRIPTION: 06" CS18 NRS RESILIENT WEDGE GATE VALVE MATERIAL: CS18 NRS FINISH: 100%	DRAWING NO.: T-110 DATE: 10/01/2020	SCALE: 1:1 SHEET NO.: 6	TOTAL SHEETS: 6 DRAWN BY: D

<u>ITEM NO.</u>	<u>COMPONENT</u>	<u>QTY.</u>	<u>SIZE</u>	<u>STANDARD MATERIAL</u>	<u>MATERIAL OPTIONS</u>
1	BODY	1	-	DUCTILE IRON	-
2	COVER	1	-	DUCTILE IRON	-
3	STEM	1	-	C86200	C99500 (LOW ZINC), 304 SS, 316 SS
4	O-RING	3	#214	EPDM	BUNA-N
5	THRUST WASHER	2	-	ACETAL	C26000
6	O-RING	1	#445	EPDM	BUNA-N
7	STEM NUT	1		C87850	C87610 (LOW ZINC)
8	OPERATING NUT	1	-	CAST IRON	DUCTILE IRON, C86700, **12" DIA. HANDWHEEL**
9	O-RING PLATE	1	-	DUCTILE IRON	**INDICATOR POST PLATE**
10	WEDGE	1	-	EPDM/DUCTILE IRON	-
11	O-RING	1	#335	EPDM	BUNA-N
12	WASHER	1	1/2"	18-8 SS	316 SS
13	HEX HEAD CAP SCREW	1	1/2"-13 X 1 1/4"	18-8 SS	316 SS
14	HEX HEAD CAP SCREW	6	5/8"-11 X 2 1/4"	18-8 SS	316 SS
15	HEX NUT	6	5/8"-11	18-8 SS	316 SS

- VALVES CONFORM WITH THE FOLLOWING STANDARDS
 - AWWA C515
 - NSF 61
- LOW ZINC BRASS STEM AND STEM NUT AVAILABLE
- 100% DOMESTIC FASTENERS AND ORINGS OPTIONS AVAILABLE
- *OPEN LEFT* (COUNTERCLOCKWISE) AND *OPEN RIGHT* (CLOCKWISE) OPTIONS AVAILABLE
- TURNS TO OPEN FROM FULLY CLOSED: 20
- AWWA MAXIMUM ALLOWABLE CLOSING TORQUE 110 FT-LB
- OPTIONAL HANDWHEEL CAN BE SUBSTITUTED FOR STANDARD 2" SQUARE OP. NUTS.
 - **NOTE: STANDARD HANDWHEEL SIZE LISTED OUT IN PARTS LIST.**

WATERWORKS 11000 W. 110th St. - Overland Park, MO 66204 (816) 875-1100 www.waterworksinc.com		6" CS15 NRS RESILIENT WEDGE GATE VALVE LBS. T110		
DATE: 10/01/2020 TIME: 10:00 AM BY: CW	PROJECT: T110 DRAWING NO.: 10/01/2020	SHEET NO.: 6 TOTAL SHEETS: 6	SCALE: 1" = 1'-0" DATE: 10/01/2020	DRAWN BY: CW CHECKED BY: T110 APPROVED BY: T110