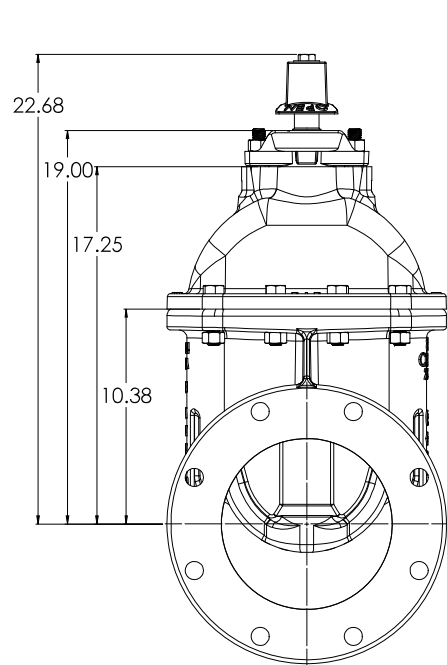
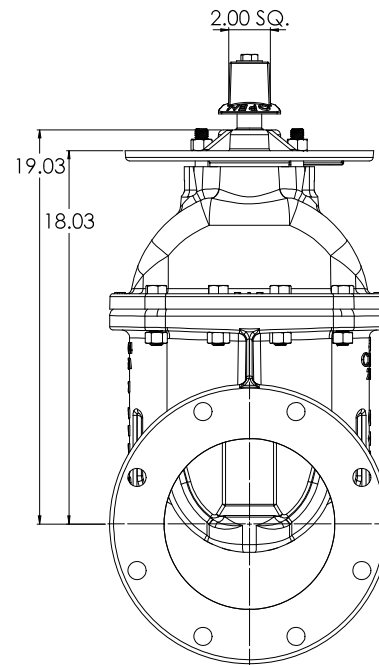


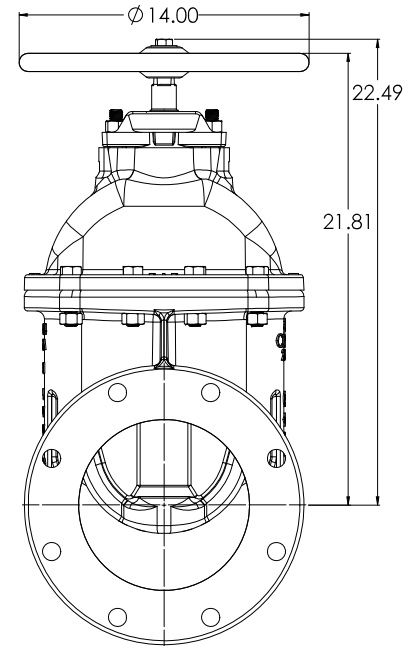
**OPERATING NUT WITH
O-RING PLATE**



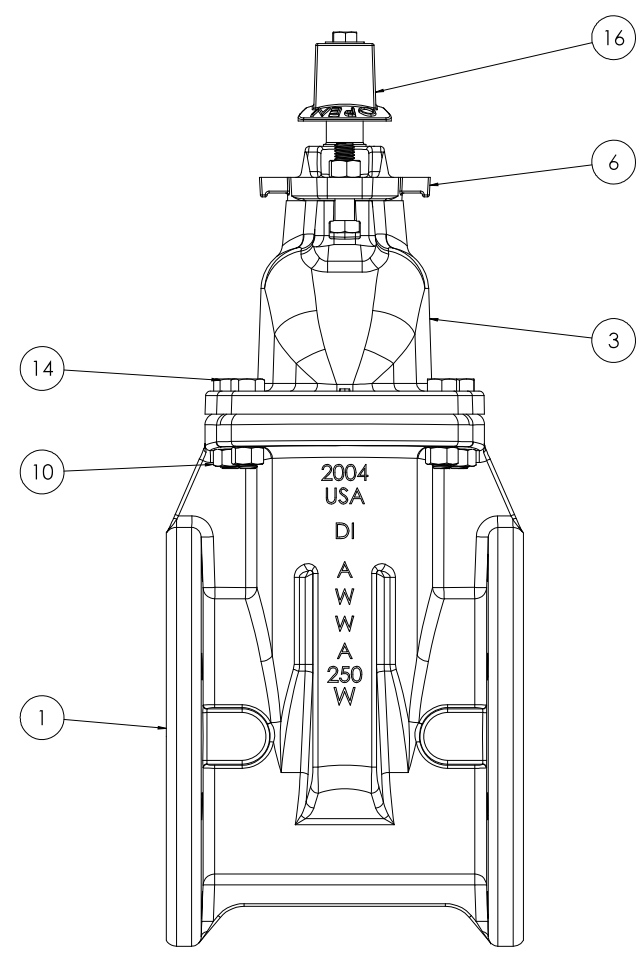
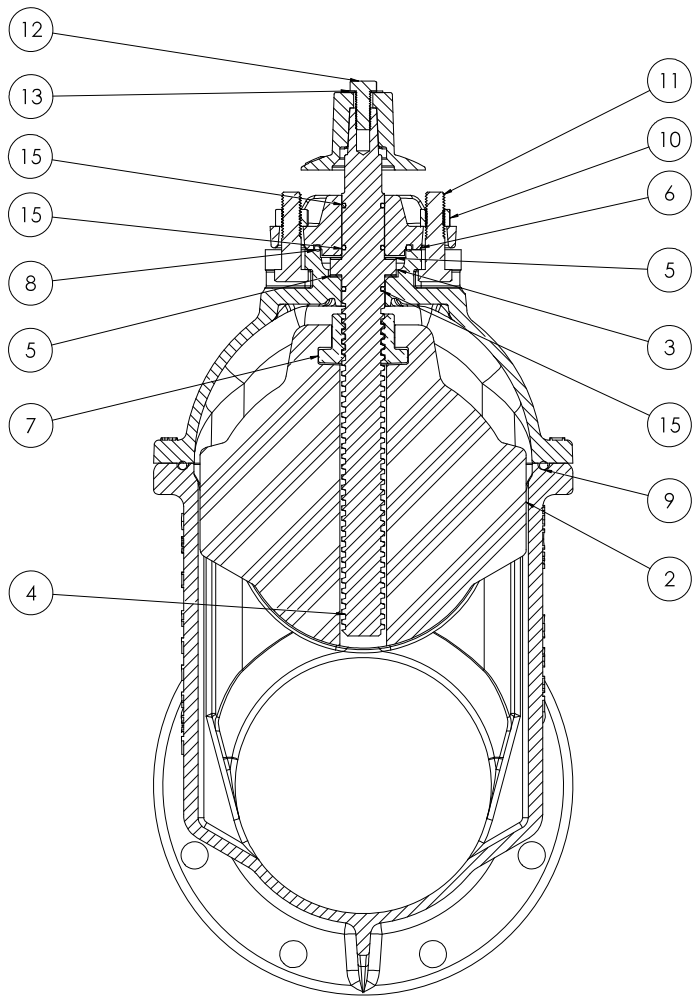
**OPERATING NUT WITH
INDICATOR POST PLATE**



**HANDWHEEL WITH
O-RING PLATE**



COMPANY: MECHANICAL ENGINEERING ADDRESS: 1500 N. W. 10th St., Ft. Lauderdale, FL 33304 PHONE: (954) 562-1000 FAX: (954) 562-1001 WWW: www.mechanical-engineering.com		PROJECT: 08" CS18 NRS RESILIENT WEDGE GATE VALVE PART: LBS. GATE VALVE DATE: 12/2/2020 DRAWN: CW CHECKED: 152/2020		SCALE: 1:5 SHEET: 3 TOTAL SHEETS: 6 REVISION: D	
---	--	---	--	--	--



2004
USA
DI
A
W
W
A
250
W

AWWA <small>AMERICAN WATER WORKS ASSOCIATION</small>		<small>AWWA is a non-profit organization that provides technical assistance and information to water utilities and engineers. For more information, visit www.awwa.org.</small>		<small>AWWA is a registered trademark of the American Water Works Association.</small>	
<small>DATE OF SUBMITTAL</small> 12/22/2020	<small>AWWA PROJECT NUMBER</small> 2020-0000	<small>AWWA PROJECT TITLE</small> 08" CS18 NRS RESILIENT WEDGE GATE VALVE	<small>AWWA PROJECT LOCATION</small> LBS	<small>AWWA PROJECT SCALE</small> 1:5	<small>AWWA PROJECT SHEET NUMBER</small> 4
<small>AWWA PROJECT NUMBER</small> 2020-0000	<small>AWWA PROJECT TITLE</small> 08" CS18 NRS RESILIENT WEDGE GATE VALVE	<small>AWWA PROJECT LOCATION</small> LBS	<small>AWWA PROJECT SCALE</small> 1:5	<small>AWWA PROJECT SHEET NUMBER</small> 4	<small>AWWA PROJECT SHEET TOTAL</small> 6
<small>AWWA PROJECT NUMBER</small> 2020-0000	<small>AWWA PROJECT TITLE</small> 08" CS18 NRS RESILIENT WEDGE GATE VALVE	<small>AWWA PROJECT LOCATION</small> LBS	<small>AWWA PROJECT SCALE</small> 1:5	<small>AWWA PROJECT SHEET NUMBER</small> 4	<small>AWWA PROJECT SHEET TOTAL</small> 6

<u>ITEM NO.</u>	<u>COMPONENT</u>	<u>QTY.</u>	<u>SIZE</u>	<u>STANDARD MATERIAL</u>	<u>MATERIAL OPTIONS</u>
1	BODY	1	-	DUCTILE IRON	-
2	WEDGE	1	-	EPDM/DUCTILE IRON	-
3	COVER	1	-	DUCTILE IRON	-
4	STEM	1	-	C99500	C86700, 304 SS, 316 SS
5	THRUST WASHER	2	-	ACETAL	C26000
6	GLAND	1	-	DUCTILE IRON	-
7	STEM NUT	1	-	C99500	C87850
8	O-RING	1	#335	EPDM	BUNA-N
9	O-RING	1	#447	EPDM	BUNA-N
10	HEX NUT	10	5/8"-11	18-8 S	316 SS
11	HEX HEAD CAP SCREW	2	5/8"-11 X 2 1/4	18-8 SS	316 SS
12	HEX HEAD CAP SCREW	1	1/2"-13 X 1 1/4	18-8 SS	316 SS
13	WASHER	1	1/2"	18-8 SS	316 SS
14	HEX HEAD CAP SCREW	8	5/8"-11 X 2 1/2	18-8 SS	316 SS
15	O-RING	3	#216	EPDM	BUNA-N
16	OPERATING NUT	1	-	CAST IRON	DUCTILE IRON, C86700, **Ø 14" HANDWHEEL**

- VALVES CONFORM WITH THE FOLLOWING STANDARDS
 - AWWA C515
 - NSF 61
- LOW ZINC BRASS STEM AND STEM NUT AVAILABLE
- 100% DOMESTIC FASTENERS AND ORINGS OPTIONS AVAILABLE
- *OPEN LEFT* (COUNTERCLOCKWISE) AND *OPEN RIGHT* (CLOCKWISE) OPTIONS AVAILABLE
- TURNS TO OPEN FROM FULLY CLOSED: 26
- AWWA MAXIMUM ALLOWABLE CLOSING TORQUE 150 FT-LBS
- OPTIONAL HANDWHEEL CAN BE SUBSTITUTED FOR STANDARD 2" SQUARE OP. NUTS.
 - ****NOTE: STANDARD HANDWHEEL SIZE LISTED OUT IN PARTS LIST.****

<small> COMPANY: SOLO WORKS ADDRESS: 12200 200th Ave, Suite 100, Everett, WA 98203 PHONE: (425) 335-7777 FAX: (425) 335-7778 WWW: www.soloworks.com </small>		<small> PROJECT: 08" CS15 NRS RESILIENT WEDGE GATE VALVE DATE: 12/2/2020 DRAWN BY: SW CHECKED BY: SW APPROVED BY: SW </small>		<small> SHEET: 5 OF 6 TITLE: D </small>	
---	--	---	--	---	--