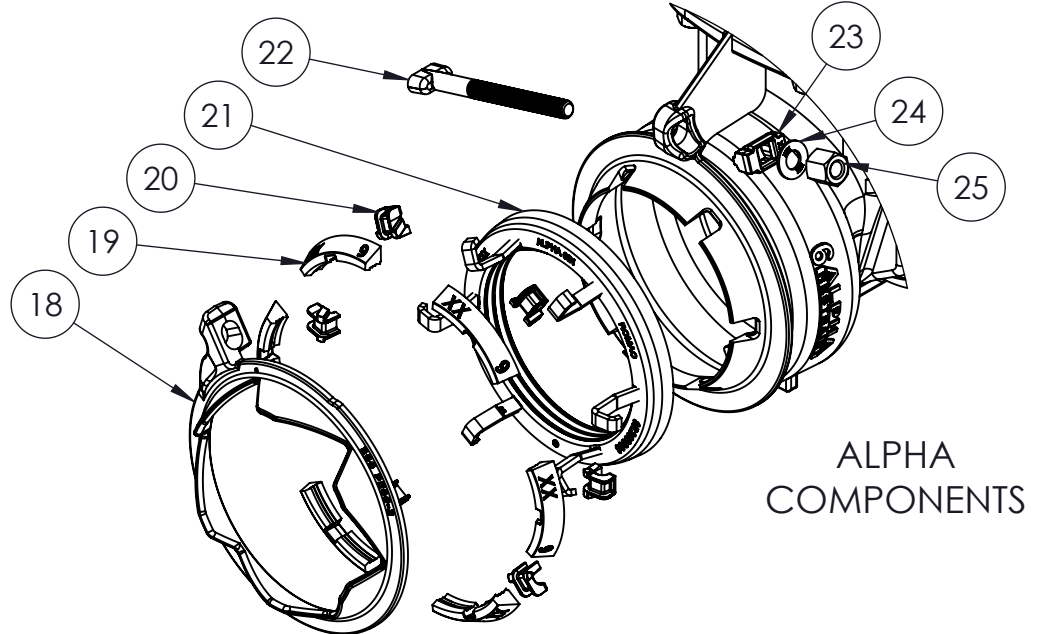
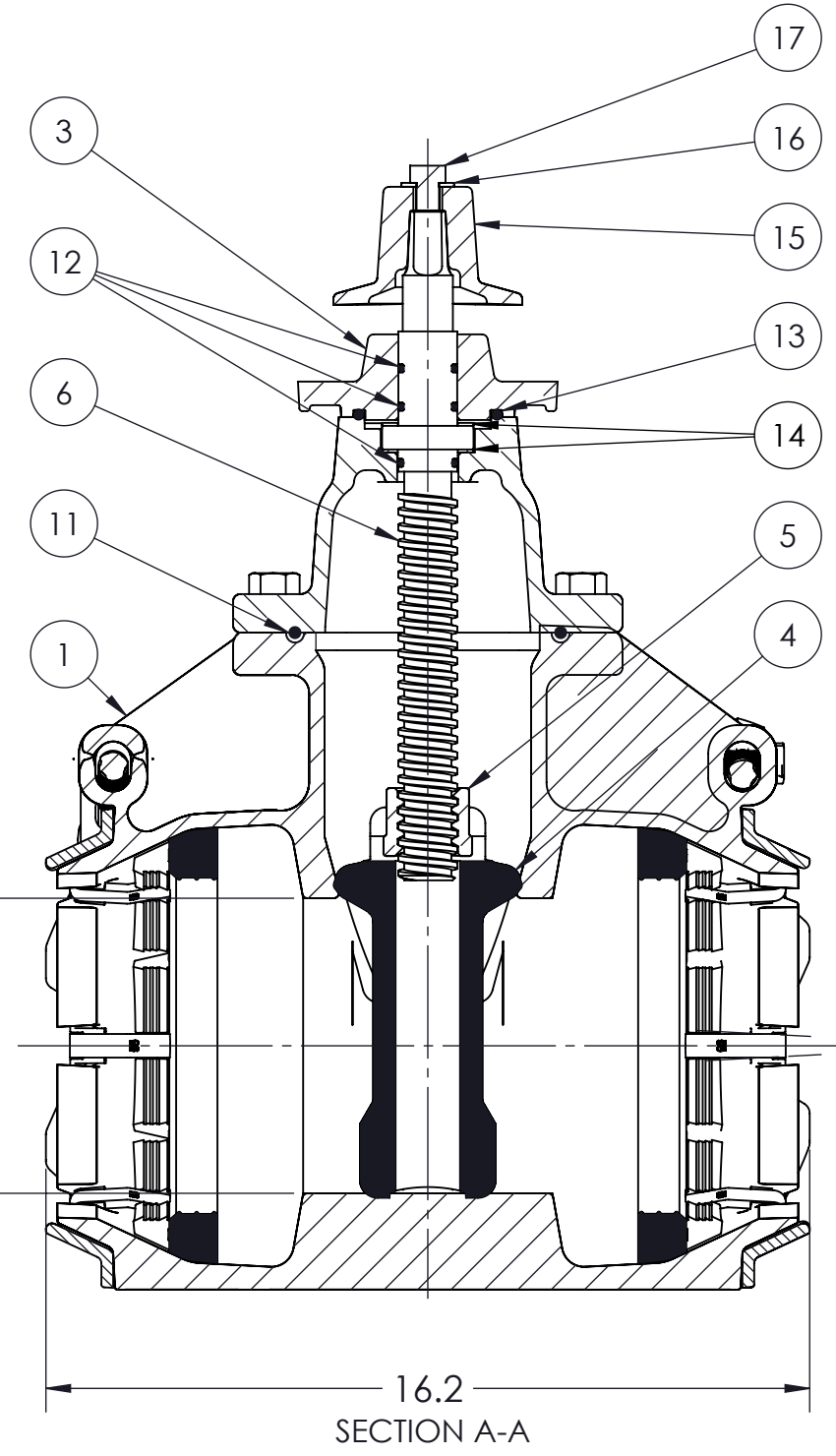
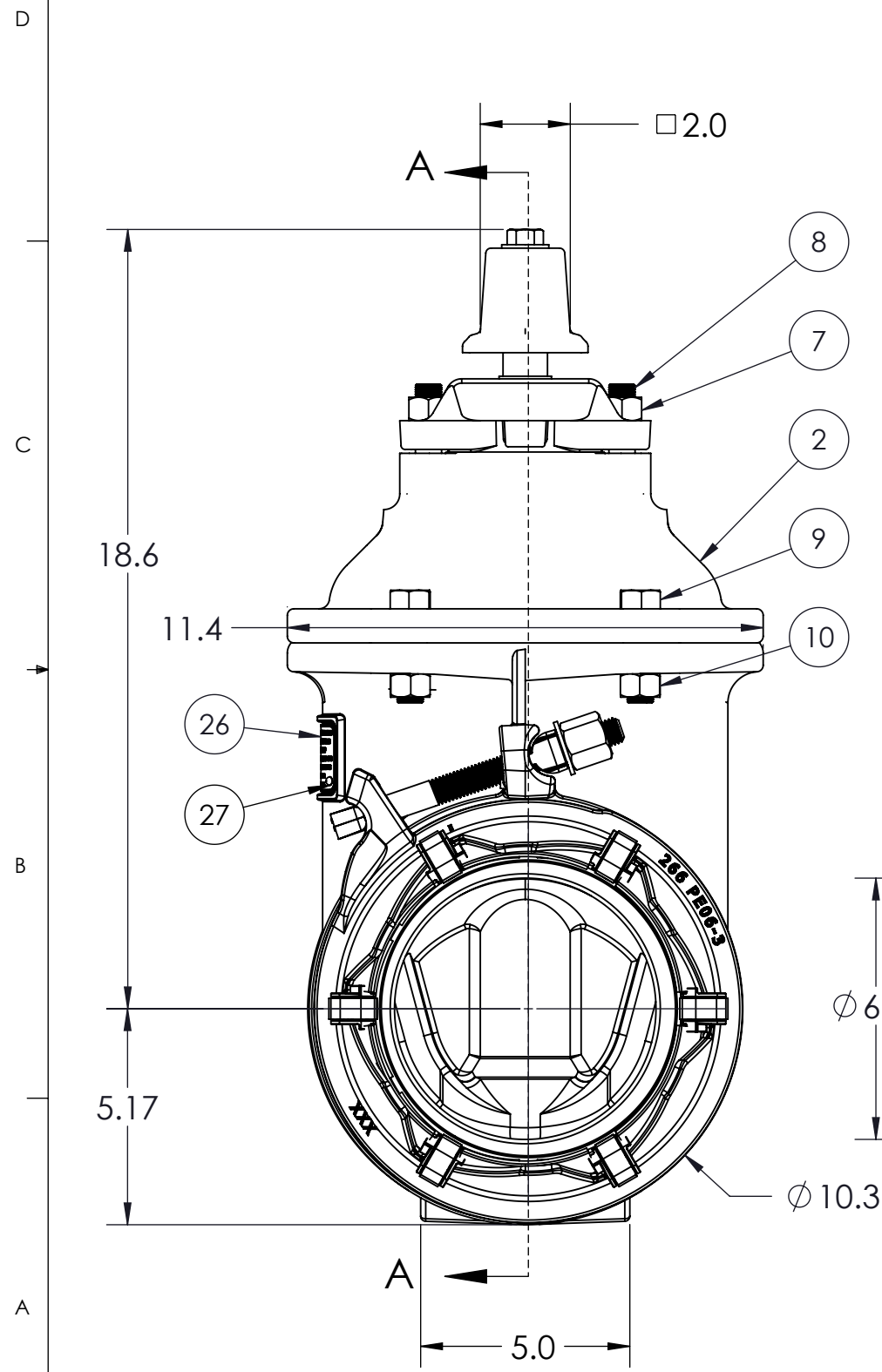


REVISIONS				
ECN/ER	REV.	DESCRIPTION	DATE	APPROVED
ECN3302	1	RELEASED	6/17/25	CAW
	2	UPDATED TITLE BLOCK	6/8/2026	GWJ

ITEM	DESCRIPTION	MATERIAL
1	BODY	DUCTILE IRON
2	BONNET/CAP	DUCTILE IRON
3	STUFFING BOX	DUCTILE IRON
4	WEDGE	EPDM ENCAPSULATED DUCTILE IRON
5	STEM NUT	BRONZE
6	STEM	STAINLESS STEEL OR BRONZE
7	STUFFING BOX NUT	STAINLESS STEEL T304 OR T316
8	STUFFING BOX BOLT	STAINLESS STEEL T304 OR T316
9	BONNET HEX BOLT	STAINLESS STEEL T304 OR T316
10	BONNET HEX NUT	STAINLESS STEEL T304 OR T316
11	BONNET O-RING	RUBBER (EPDM)
12	STEM O-RING (214)	RUBBER (EPDM)
13	STUFFING BOX O-RING (335)	RUBBER (EPDM)
14	THRUST WASHER	DELRIN
15	OP NUT	GRAY IRON
16	OP NUT WASHER	STAINLESS STEEL T304 OR T316
17	OP NUT BOLT	STAINLESS STEEL T304 OR T316
18	ALPHA END RING	DUCTILE IRON
19	ALPHA GRIPPER	DUCTILE IRON
20	ALPHA RAMP RUNNER	NYLON 66
21	ALPHA GASKET	SBR OR NBR RUBBER
22	ALPHA BOLT	316 STAINLES STEEL
23	ALPHA BOLT GUIDE	DUCTILE IRON
24	ALPHA WASHER	316 STAINLES STEEL
25	ALPHA NUT	316 STAINLES STEEL E-COATED
26	VALVE TAG	316 STAINLES STEEL
27	TAG RIVET	304 STAINLES STEEL



DRAWN: CAW CHECKED: GWJ APPROVED: DB	NAME: CAW DATE: 6/17/2025 DATE: 6/17/2025 DATE: 6/26/2025	TITLE: <b>6 INCH NRS RWGV          ALPHA-GRIP ASSEMBLY</b>	
DO NOT SCALE DRAWING MATERIAL: SEE TABLE Weight: 125 LBS		SIZE: <b>B</b> DWG. NO.: 33762	REV: 2
PROPRIETARY AND CONFIDENTIAL <small>THE INFORMATION CONTAINED IS THE SOLE PROPERTY OF Kennedy Valve Co. CO. ANY REPRODUCTION IN PART OR AS A WHOLE WITHOUT THE WRITTEN PERMISSION OF KENNEDY VALVE CO. IS PROHIBITED. DESIGN &amp; INVENTION RIGHTS RESERVED.</small>			SHEET 1 OF 1