

- NOTE 1: A rubber (Buna-N) To metal seal is accomplished when the cover is in the closed position, metal face is a machined bronze seat.
- NOTE 2: Ground water pressure cannot separate cover or grate from body.
- NOTE 3: Cover and grate can be removed by turning to right or left and lifting out.
- NOTE 4: Valve starts to open at a head of approximately 9" of water
- NOTE 5: In order for the F-1493 "Floor Type Valve" to operate correctly, it must be installed in a vertical position.
- NOTE 6: The 8" long cast iron body is designed to be extended to any length by using C900 PVC pipe and field cutting to desired length.

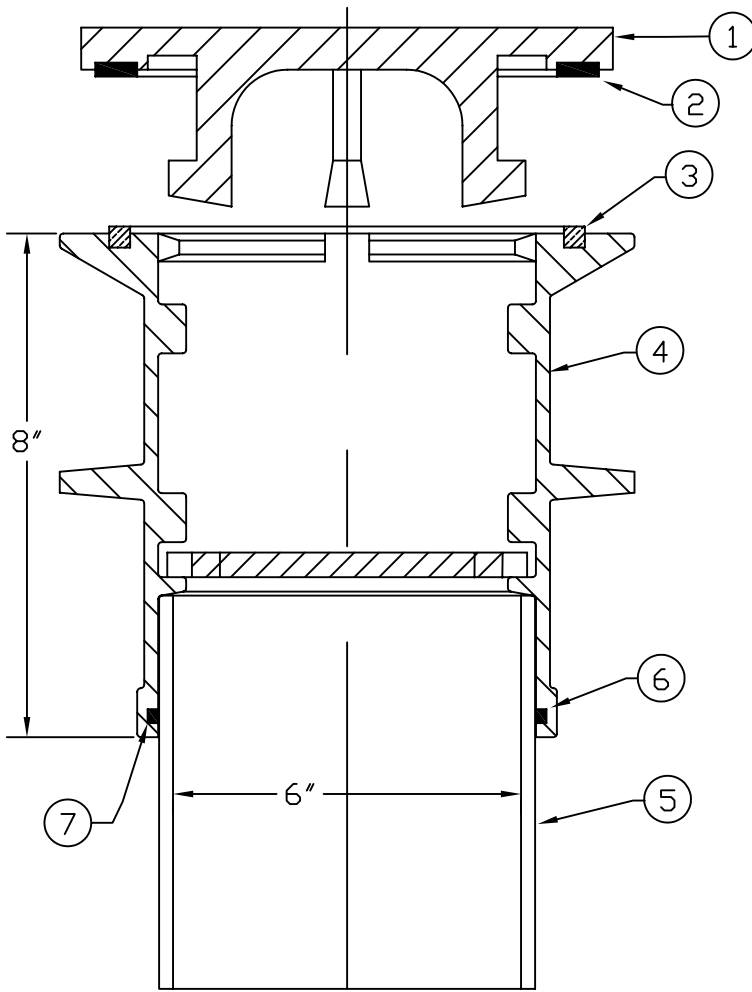
M&H VALVE COMPANY
ANNISTON, ALABAMA
A DIVISION OF MCWANE INC.

DWN: TRIJ

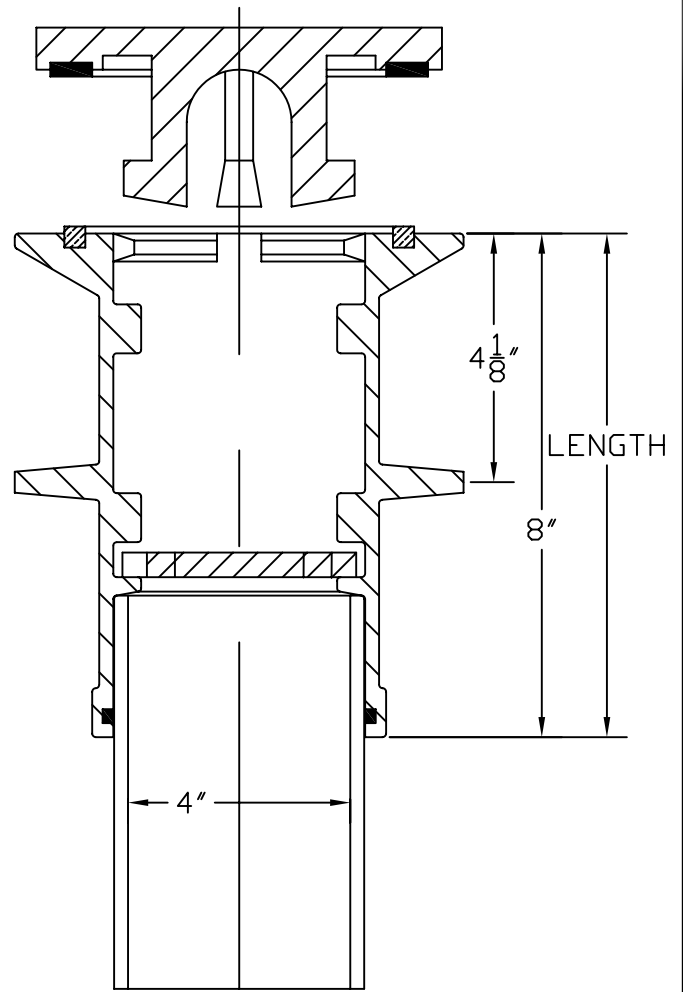
DATE: 7/1/05

DWG. NO.
PRV-F

4" PRESSURE RELIEF VALVES
(FLOOR TYPE)
INSTALLATION DETAIL / NOTES
STYLE F-1493



6" SIZE--Weight 42LBS.



4" SIZE--Weight 30LBS.

ITEM	DESCRIPTION	MATERIAL	
1	COVER	CAST IRON	A126B
2	SEAL	BUNA-N	50 DUR
3	SEAT	BRONZE	SAE660
4	BODY	CAST IRON	A126B
5	EXTENSION	P.V.C.	C900
6	O RING	BUNA-N	60 DUR
7	GRATE	CAST IRON	A126B

NOTE:

#5. P.V.C PIPE IS NOT SUPPLIED ON 8" LENGTH

#3. BRONZE SEAT IS PRESSED & SEALED INTO GROOVE

#7. GRATE SHOWN 45° OUT OF POSITION, SLOTS LINE UP W/RIBS TO ASSEMBLE ONLY

M&H VALVE COMPANY
ANNISTON, ALABAMA
A DIVISION OF MCWANE INC.

DWN: TRIJ

DATE: 7/1/05

DWG. NO.
PRV-F

4" & 6" PRESSURE RELIEF VALVES
(FLOOR TYPE)

MATERIAL LIST / DIMENSIONS / WEIGHTS
STYLE F-1493